
Bicycle Components



TECHNOLOGY TO WIN



Games of the XXIIIrd Olympiad Los Angeles 1984



*Exclusive official supplier
of technical assistance to
the cycling events at
the XXIIIrd Olympiad
Los Angeles 1984*

Campagnolo

1982 Support Program

1982 TECHNICAL ADVISOR

February 20	Giro De Las Vegas	Las Vegas, Nv.
March 6 & 7	La Primavera	Austin, Tx.
March 14	St. Patrick's Day Road Race	San Antonio, Tx.
March 20 & 21	Nacodoches Road Race	Nacodoches, Tx.
March 27 & 28	Sports Festival	Austin, Tx.
April 3 & 4	April Fools Race	Houston, Tx.
May 29	Allentown Road Race	Allentown, Pa.
May 30	Tour of Nutley	Nutley, N.J.
May 31	Tour of Sommerville	Sommerville, N.J.
June 5	Cappy Trophy Race	Colorado Springs, Co.
June 6	Good Earth Criterium	Boulder, Co.
June 10-20	Coors Classic	Colorado
July 9	Womens World Team Selection Race	Malibu, Ca.
July 11	Manhattan Beach G.P.	Manhattan Beach, Ca.
July 24-29	U.S.O.C. Sports Festival	Indianapolis, In.
July 28-August 1	National Track Championships	Kenosha, Wi.
August 3-8	National Road Championships	Milwaukee, Wi.
August 23-28	World Track Championships	Leicester, England
September 1-5	World Road Championships	Goodwood, England
September 29-October 3	Veteran Nationals	Tallahassee, Fl.
October 1-3	Tour of Coconut Grove	Coconut Grove, Fl.

1982 SUPPORT

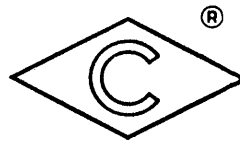
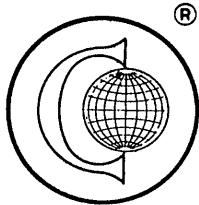
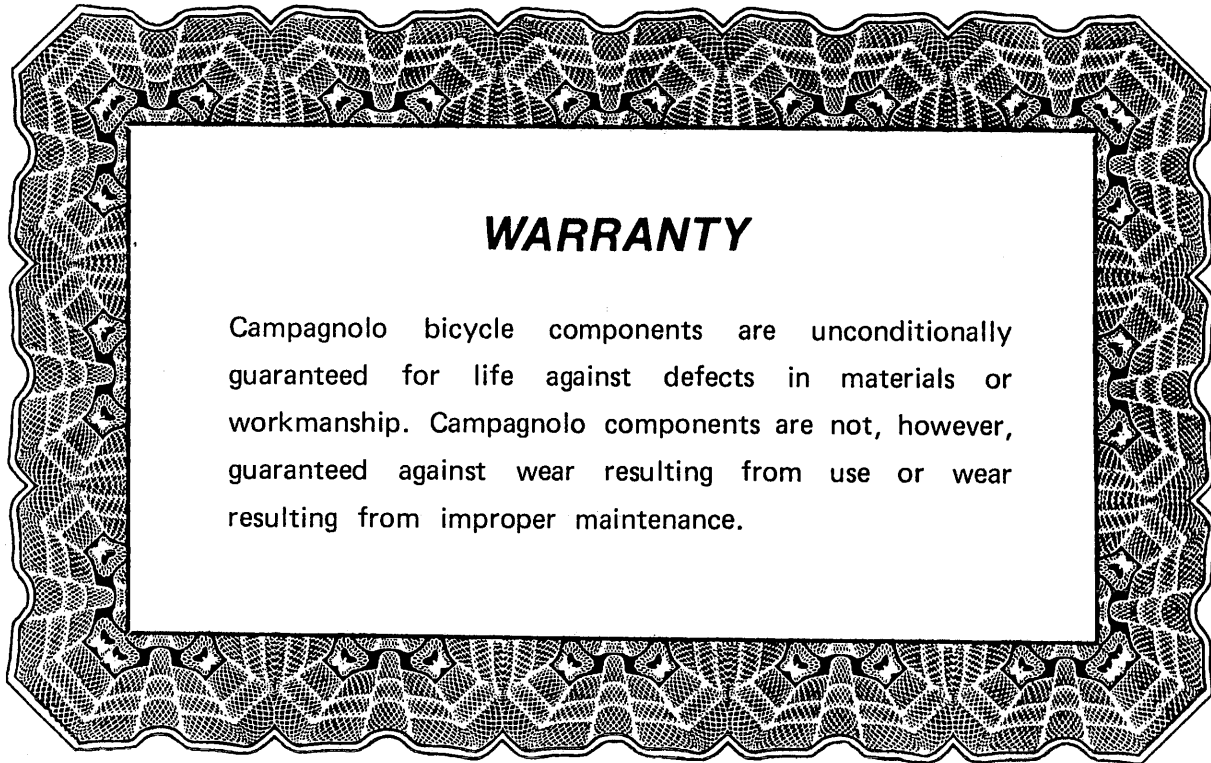
Trans-America Bike Race, Los Angeles to New York
Absolute Speed Record Attempt
San Diego Velodrome, San Diego, Ca.
Trexlerstown Velodrome, Trexlerstown, Pa.
Hellyer Park Velodrome, San Jose, Ca.
Major Taylor Velodrome, Indianapolis, In.
7-11 Team—47 Race Victories
Puch Team—Silver Medal Winner at the World Championships 1982
7-11 Women's Team—Gold Medal Winner at the World Championships 1982
Bianchi Women's Team Gold and Silver Medal Winners
at the World Championships 1982
United States Cycling Federation, Colorado Springs Training Center 1981-1984



Exclusive Official Supplier of Technical Assistance to the Games of the XXIII Olympiad, Los Angeles, 1984

Campagnolo

Warranty



CAMPAGNOLO®

BREV. INTER. CAMPAGNOLO®

© COPYRIGHT © 1982

All copyrights reserved and reproduction prohibited.

Any person infringing Campagnolo patents, trade marks, and registered designs will be prosecuted.

COMPLETE GRUPPOS

Super Record Road Gruppo	4
Nuovo Record Road Gruppo	5
Gran Sport Road Gruppo	6
Gran Sport Touring Gruppo	7
Record Track Gruppo	8

MAIN COMPONENTS

Front Derailleurs	9
Gear Changers, Rear	12
Pedals	15
Hubs	18
Headsets	21
Freewheel	23
Toe Clip	24
Chainwheels	25
Bottom Brackets	31
Seat Posts	34
Brake Sets	36
Control Levers	38
Fork Ends	40
BMX	41

SERVICE TOOLS

Complete Tool Case	42
Reduced Tool Case	43
Tools	44
Special Tools	46

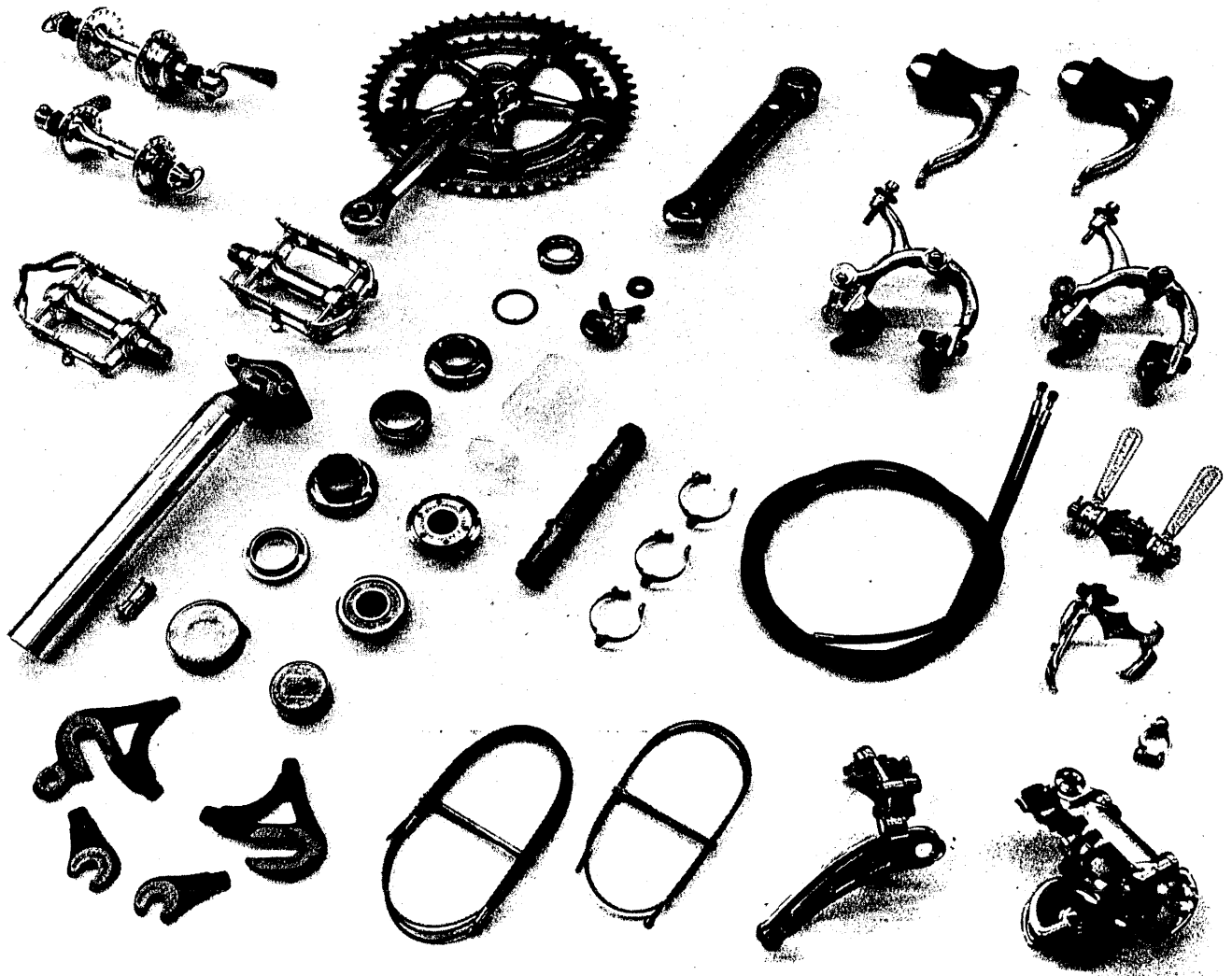
Nuovo Record Road Gruppo

NUOVO RECORD ROAD GRUPPO

606	Gear cable, rear	1034	Record Hub set, small flange, English, French, Italian. Drill 24, 28, 32 and 40 holes. Spacing 100mm front, 121.5mm 5-speed or 126.5mm 6-speed on the rear.	1046/A	Nuovo Record Bottom Bracket, 68mm or 70mm width, English, French, Italian.
608	Gear cable, front	1035	Record Hub set, large flange with the ² same specifications as the 1034.	1049	Record Chainwheel set, Arms 165, 167.5, 170, 172.5, 175, 177.5 and 180mm, Chainrings 41T to 57T, 1/2" x 3/32".
622	Gear casing, stainless steel	1037	Record Pedals, with steel cage	0104007	Record Derailleur, front
626/A	Gear cable clip, twin down tube	1037/A	Record Super Light Pedals, ² aluminum alloy cage.	2040	Record Brakeset with 52mm reach ¹
636	Gear cable clip, chainstay	1039	Record Headset, English, French, Italian.	2040/1	Record Brakeset with 47mm reach ^{1,2}
649	Brake cable clip, stainless steel	1044	Record Seatpost, 25.0, 25.8, 26.0, 26.2, 26.4, 26.6, 26.8, 27.0, 27.2, and 27.4mm diameter, 180mm length.		
1010/B	Nuovo Record Fork Ends, short				
1010	Record Fork Ends, long with eyelets ²				
1014	Record control lever, twin down tube				
1020/A	Record Gear Changer, rear				
1030/2	Pump Head				

¹Brakesets are available with recessed allen bolts.

²Optional



Gran Sport Road Gruppo

GRAN SPORT ROAD GRUPPO

606	Gear cable, rear	1253	Nuovo Tipo Hub set with large flange ¹ with the same specifications as the 1251.
608	Gear cable, front	118 2020/F	Gran Sport Brake set, 52mm reach
622	Gear casing, stainless steel	117 2020/FS	Gran Sport Brake set, 47mm reach ¹
626/A	Gear cable clip, twin down tube	0304	Gran Sport Chainwheel set, arms 170mm. Chainrings 42T to 57T, 1/2" x 3/32".
636	Gear cable clip, chainstay	3331	Gran Sport Bottom Bracket, 68mm or 70mm width, English, French, Italian.
1010	Record Fork Ends, long with eyelets	3500	Gran Sport Gear Changer, rear
1010/B	Nuovo Record Fork Ends, short ¹	3600/NT	Gran Sport Derailleur, front
1014/1A	Gran Sport control lever, twin down tube	3700	Gran Sport Pedals, aluminum alloy cage.
1040/A	Gran Sport Headset, English, French, Italian.	3800	Gran Sport Seatpost, 25.0, 25.8, 26.0, 26.2, 26.4, 26.8, 27.0, 27.2, 27.4mm diameter, 180mm length.
1251	Nuovo Tipo Hub set, small flange, English, French, Italian. Spacing 100mm front and 121.5mm 5-speed or 126.5mm 6-speed rear.		

¹Optional



Gran Sport Touring Gruppo

GRAN SPORT TOURING GRUPPO

606	Gear cable, rear	118 2040/F	Gran Sport Brakeset, 52mm reach
608	Gear cable, front	117 2020/FS	Gran Sport Brakeset, 47mm reach ¹
622	Gear casing, stainless steel	0306	Gran Sport Touring Triple Chainwheel set.
626/A	Gear cable clip, twin down tube		Arms 170mm, chainrings 35, 36, 37, 38, 39, 40, 41, 42, 43, 50, 51, 52, 53, teeth, 1/2" x 3/2"
636	Gear cable clip, chainstay	5031/00	Gran Sport Triple Bottom Bracket, 68mm or 70mm width, English, French, Italian.
1010	Record Fork Ends, long with eyelets	5011/06	Gran Sport Rally Touring Gear Changer, rear
1010/B	Nuovo Record Fork Ends, short ¹	3600/NT	Gran Sport Derailleur, front
1014/1A	Gran Sport Control Lever, twin down tube	3700	Gran Sport Pedals with aluminum cage
1040/A	Gran Sport Headset, English, French, Italian.	3800	Gran Sport Seatpost, 25.0, 25.8, 26.0, 26.2, 26.4, 26.6, 26.8, 27.0, 27.2 and 27.4mm diameter, 180mm length.
1251	Nuovo Tipo Hub set, small flange, English, French, Italian. Drill 32 and 36 hole. Spacing 100mm front and 121.5mm 5-speed or 126.5mm 6-speed rear.		
1253	Nuovo Tipo Hub set with large flange ¹ with the same specifications as the 1251.		

¹Optional



Track Gruppis

RECORD TRACK GRUPPO

- 1036** Record Hub set, large flange, English, French, Italian. Spacing 100mm front and 120mm rear
- 1036/2** Record Hub set, small flange with¹ the same specifications as the 1036.
- 1038** Record Pedals, steel cage
- 1038/A** Record Super Light Pedals,¹ aluminum alloy cage
- 1040** Record Headset, English, French, Italian.
- 1046** Record Bottom Bracket, 68mm or 70mm width. English.
- 1051** Record Chainwheel set. Arms 165, 167.5, 170, 172.5, 175, 177.5 and 180mm. Chainrings 44T to 57T, 1/2" x 1/8".
- 1053** Record Fork Ends

SUPER RECORD TRACK GRUPPO, TITANIUM²

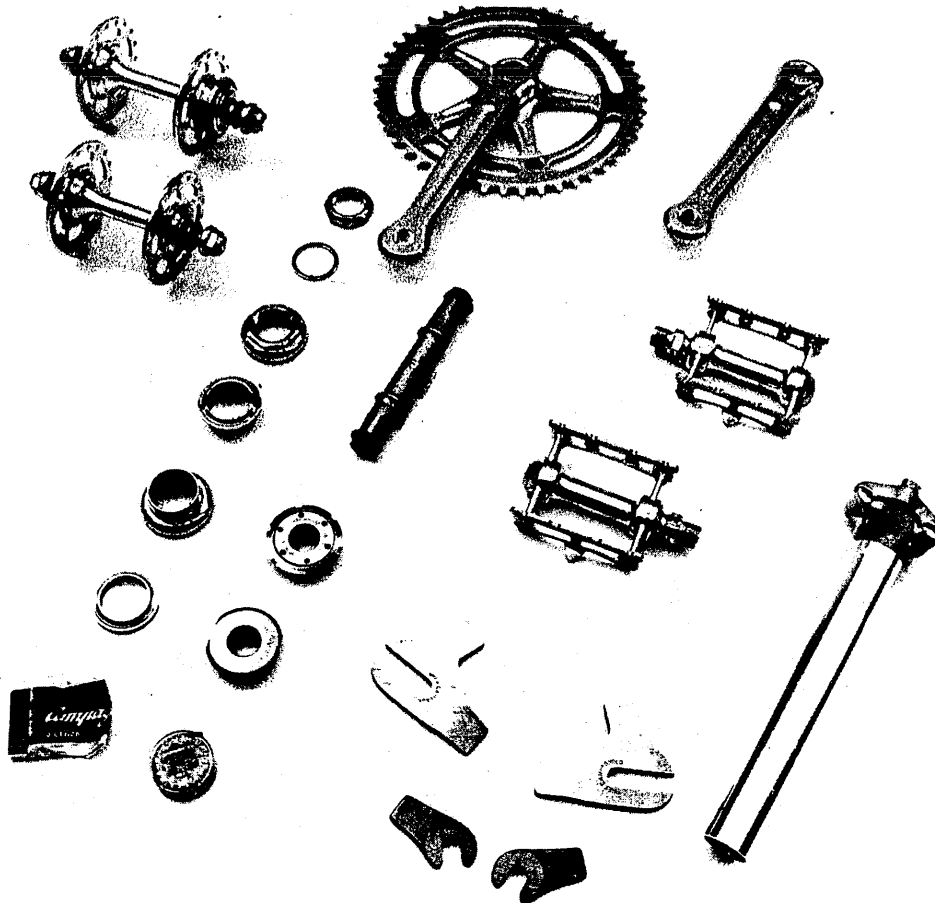
- 1036** Record Hub set, large flange, English, French, Italian. Spacing 100mm front and 120mm rear
- 1036/2** Record Hub set, small flange with¹ the same specifications as the 1036.
- 1053** Record Fork Ends
- 4051/1** Nuovo Super Record Seatpost, 25.0, 25.8, 26.0, 26.2, 26.4, 26.6, 26.8, 27.0, 27.2, and 27.4mm diameter, 180mm length.
- 4021** Super Record Pedals, aluminum alloy cage and titanium axle.
- 4131** Super Record Bottom Bracket, aluminum alloy cups and titanium axle. 68mm or 70mm width, English, French, Italian.
- 4141** Super Record Headset, English, French, Italian.
- 4151** Super Record Chainwheel set. Arms 165, 167.5, 170, 172.5, 175, 177.5 and 180mm. Chainrings 44T to 57T, 1/2" x 1/8".

SUPER RECORD TRACK GRUPPO, STEEL²

- 1036** Record Hub set, large flange, English, French, Italian. Spacing 100mm front and 120mm rear
- 1036/2** Record Hub set, small flange with¹ the same specifications as the 1036.
- 1038/A** Record Super Light Pedals, aluminum alloy cage.
- 1046** Record Bottom Bracket, 68mm or 70mm width. English, French, Italian.
- 1053** Record Fork Ends
- 4051/1** Nuovo Super Record Seatpost, 25.0, 25.8, 26.0, 26.2, 26.4, 26.6, 26.8, 27.0, 27.2, and 27.4mm diameter, 180mm length.
- 4141** Super Record Headset, English, French, Italian.
- 4151** Super Record Chainwheel set. Arms 165, 167.5, 170, 172.5, 175, 177.5 and 180mm. Chainrings 44T to 57T, 1/2" x 1/8".

¹Optional

²Not Shown



Record Track Gruppo

Front Derailleurs

FRONT DERAILLEURS^{2,3}

1052/NT	Record
*	Super Record ¹
1022/00	Record braze on
3600/NT	Nuovo Gran Sport
0104012	980
2050	Nuovo Valentino

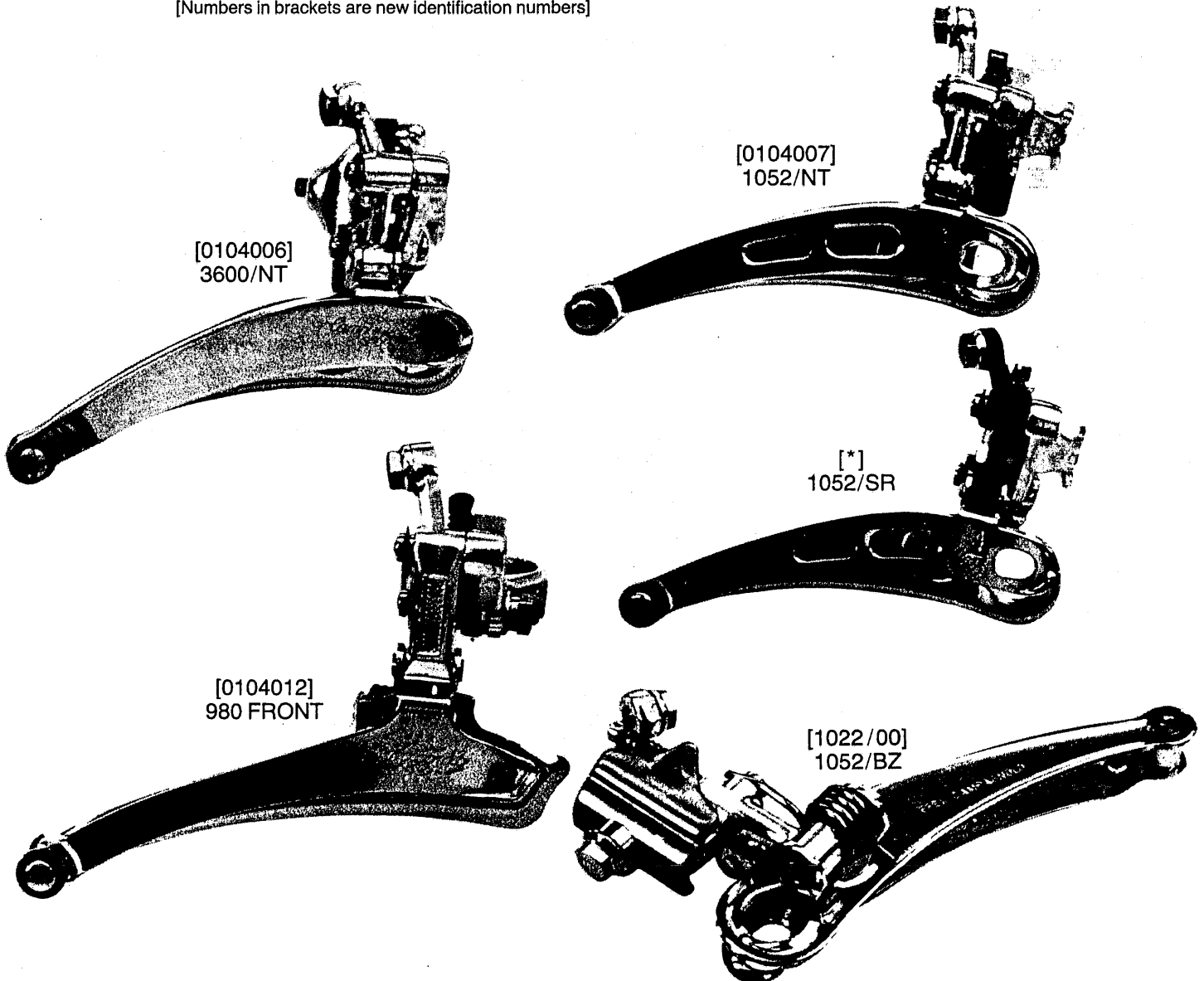
¹ Available in derailleur groups only.
² Maximum recommended differential for adjacent chainrings touring.

Touring	11 teeth
Road Racing	9 teeth
Criterion Racing	7 teeth

³ The outer derailing plate of the front derailleur should clear the outer chainring by 1 to 2mm.

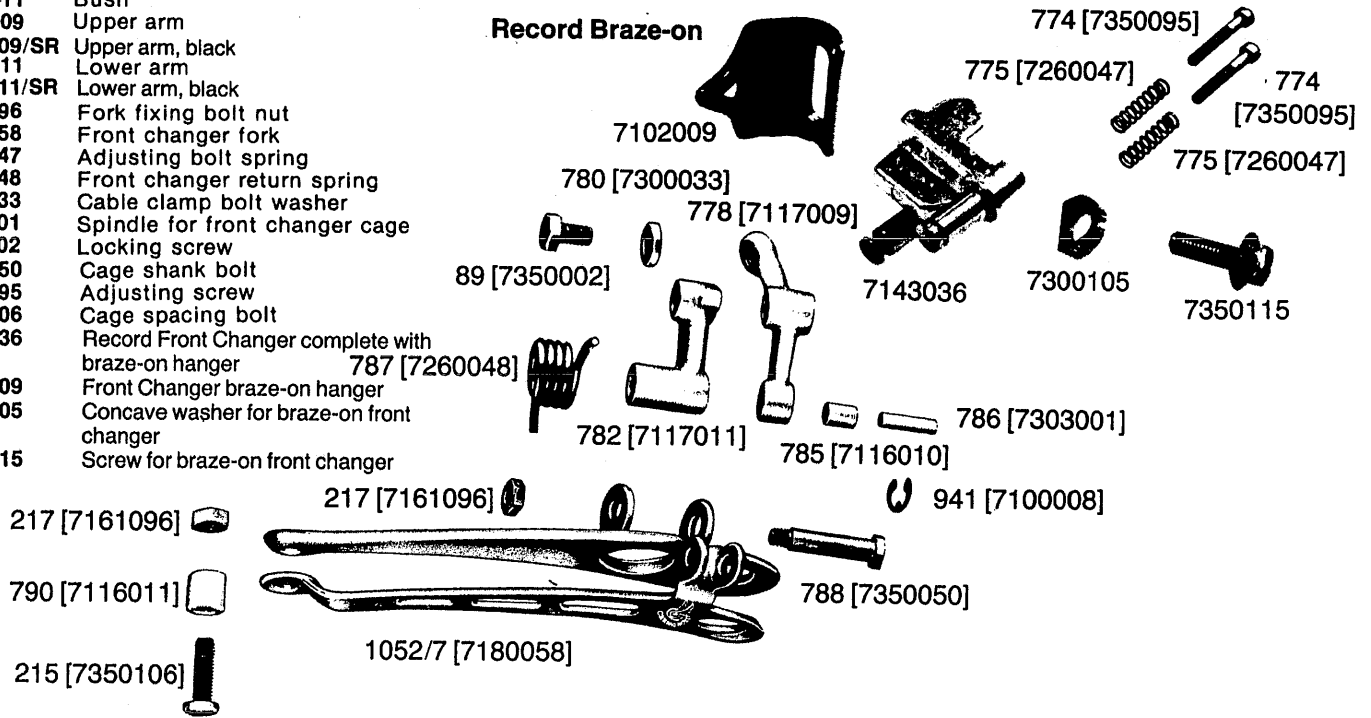
	Weight, grams
1052/NT	92
*	92
1022/00	101
3600/NT	98
0104012	96
2050	102

[Numbers in brackets are new identification numbers]

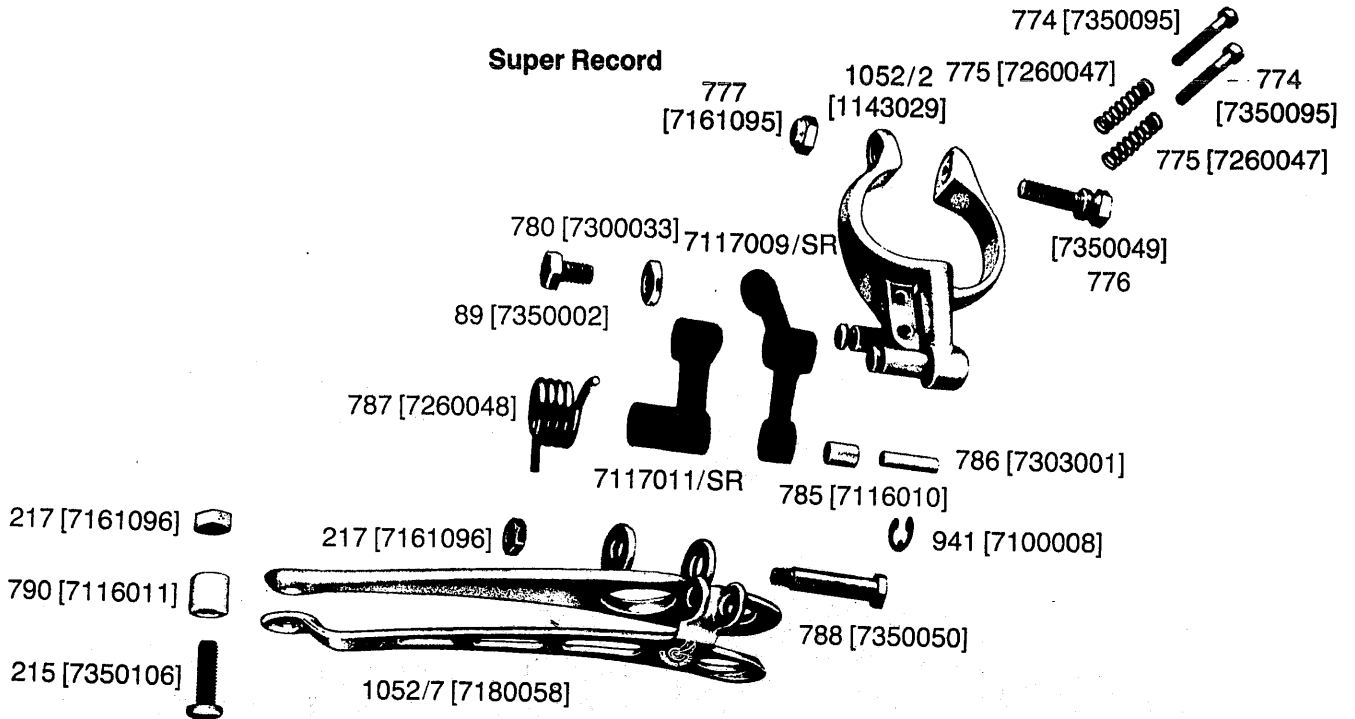


- 710008 Circlip
- 7116010 Ferrule for front changer cage
- 7116011 Bush
- 7117009 Upper arm
- 7117009/SR Upper arm, black
- 7117011 Lower arm
- 7117011/SR Lower arm, black
- 7161096 Fork fixing bolt nut
- 7180058 Front changer fork
- 7260047 Adjusting bolt spring
- 7260048 Front changer return spring
- 7300033 Cable clamp bolt washer
- 7303001 Spindle for front changer cage
- 7350002 Locking screw
- 7350050 Cage shank bolt
- 7350095 Adjusting screw
- 7350106 Cage spacing bolt
- 7143036 Record Front Changer complete with braze-on hanger
- 7102009 Front Changer braze-on hanger
- 7300105 Concave washer for braze-on front changer
- 7350115 Screw for braze-on front changer

Record Braze-on



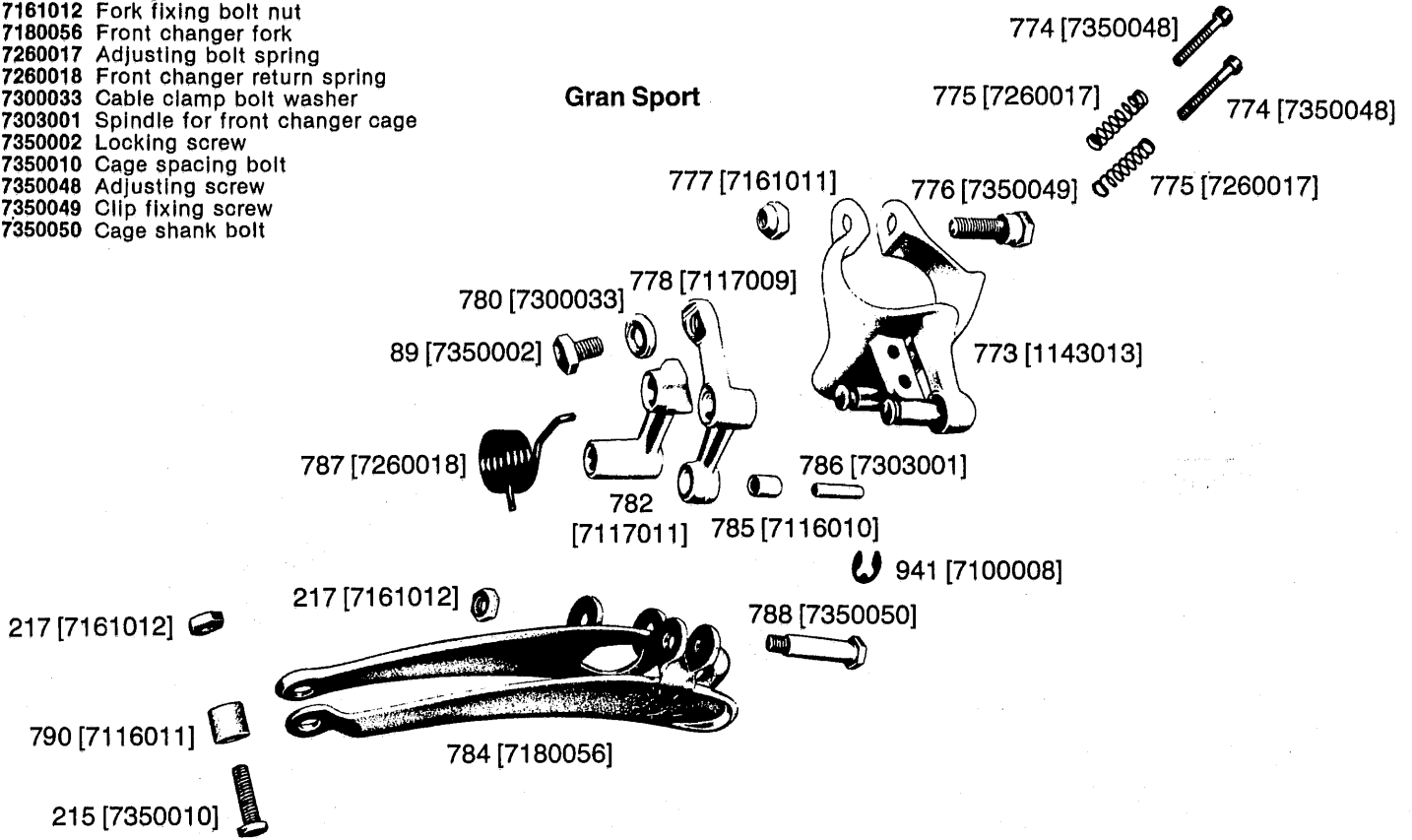
Super Record



[Numbers in brackets are new identification numbers]

- 1143013 Front changer body (with clip and hinge)
- 7100008 Circlip
- 7116010 Ferrule for front changer cage
- 7116011 Bush
- 7117009 Upper arm
- 7117011 Lower arm
- 7161011 Fixing screw nut
- 7161012 Fork fixing bolt nut
- 7180056 Front changer fork
- 7260017 Adjusting bolt spring
- 7260018 Front changer return spring
- 7300033 Cable clamp bolt washer
- 7303001 Spindle for front changer cage
- 7350002 Locking screw
- 7350010 Cage spacing bolt
- 7350048 Adjusting screw
- 7350049 Clip fixing screw
- 7350050 Cage shank bolt

Gran Sport



[Numbers in brackets are new identification numbers]

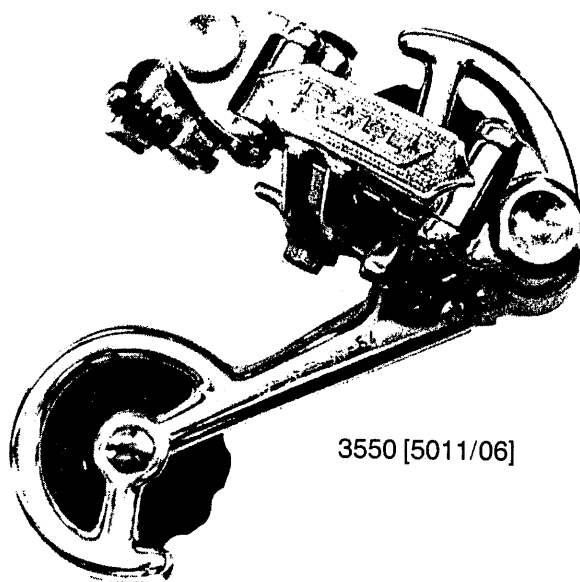
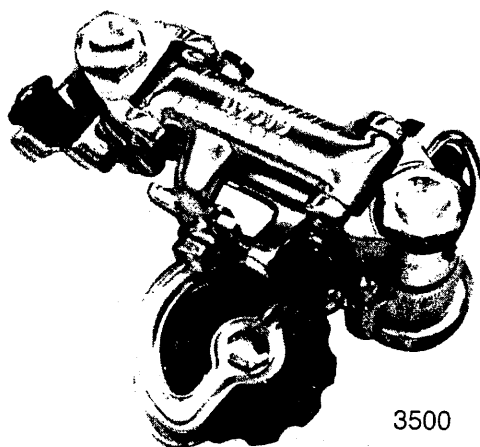
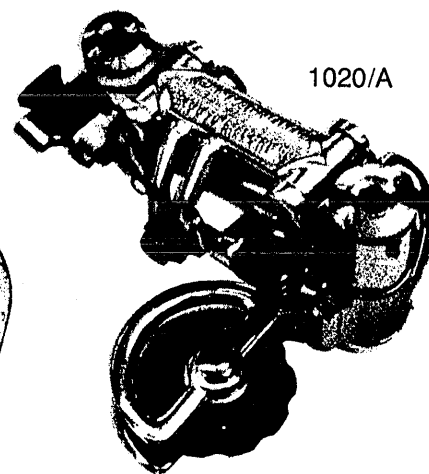
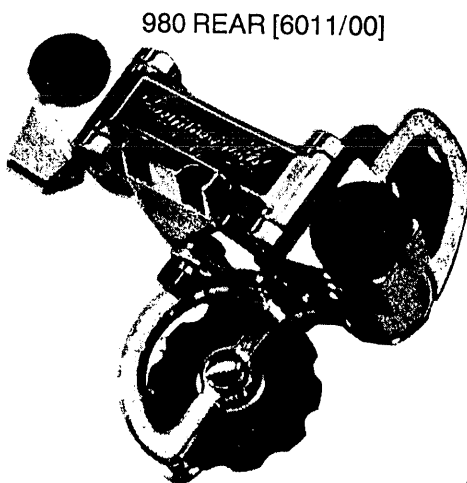
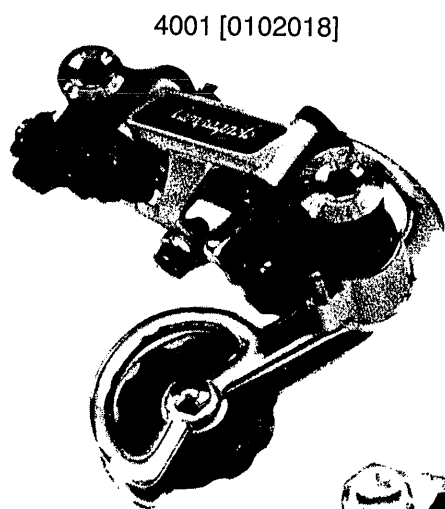
Gear Changers, Rear

GEAR CHANGERS, REAR

1020/A	Nuovo Record
3500	Gran Sport
5011/06	Gran Sport Rally
6011/00	980
0102018	Super Record

	0102018	3500	5011/06	1020/A	980
Weight Grams	182	220	225	199	200
Teeth Capacity	28	26	32	26	26
Applications	Racing	Sport/Racing	Touring	Racing	Sport-Touring

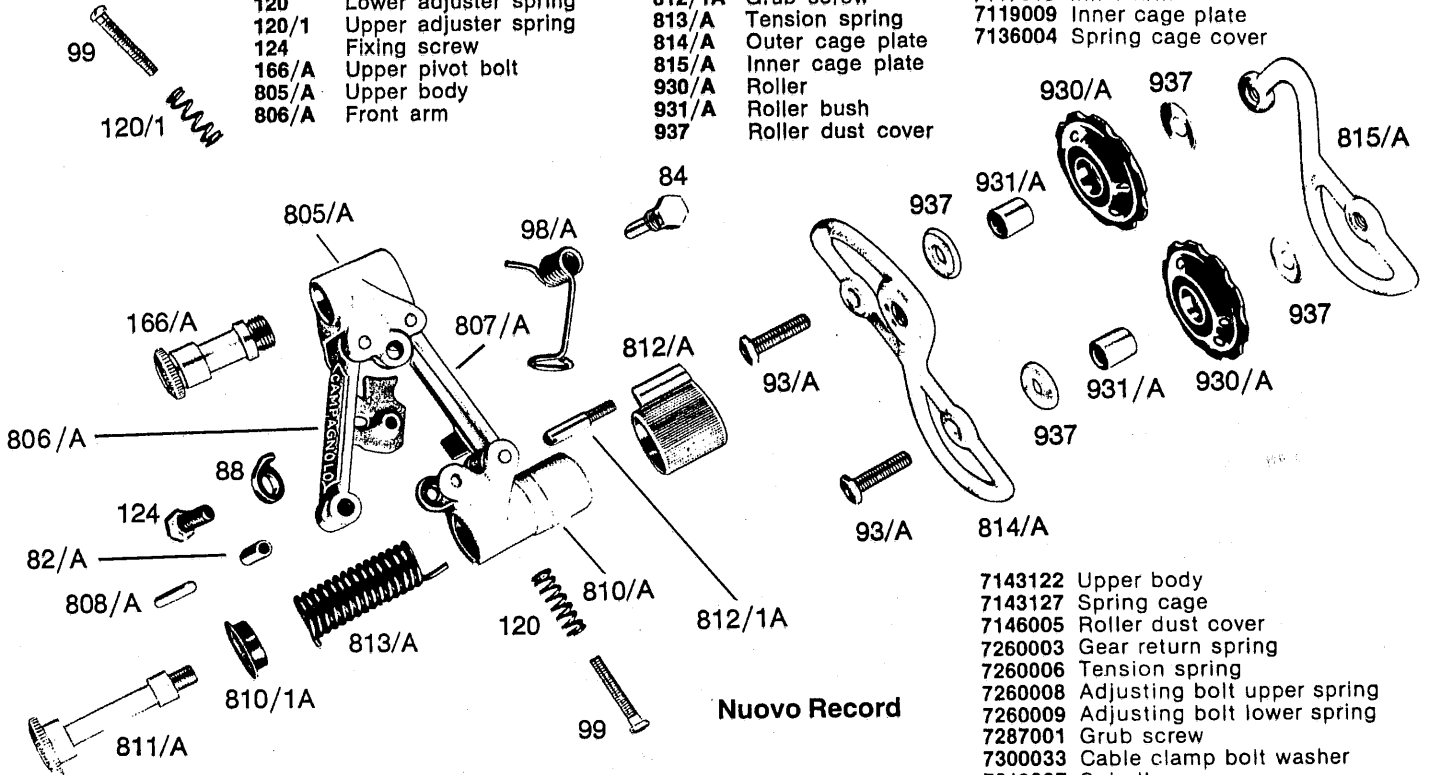
[Numbers in brackets are new identification numbers]



- 82/A Body ferrule
- 84 Gear return spring screw
- 88 Clamp washer
- 93/A Sprocket bolt
- 98/A Gear return spring
- 99 Gear adjusting screw
- 120 Lower adjuster spring
- 120/1 Upper adjuster spring
- 124 Fixing screw
- 166/A Upper pivot bolt
- 805/A Upper body
- 806/A Front arm

- 807/A Inner arm
- 808/A Spindle
- 810/A Lower body
- 810/1A Lower body bush
- 811/A Gear spring cover
- 812/A Spring cage cover
- 812/1A Grub screw
- 813/A Tension spring
- 814/A Outer cage plate
- 815/A Inner cage plate
- 930/A Roller
- 931/A Roller bush
- 937 Roller dust cover

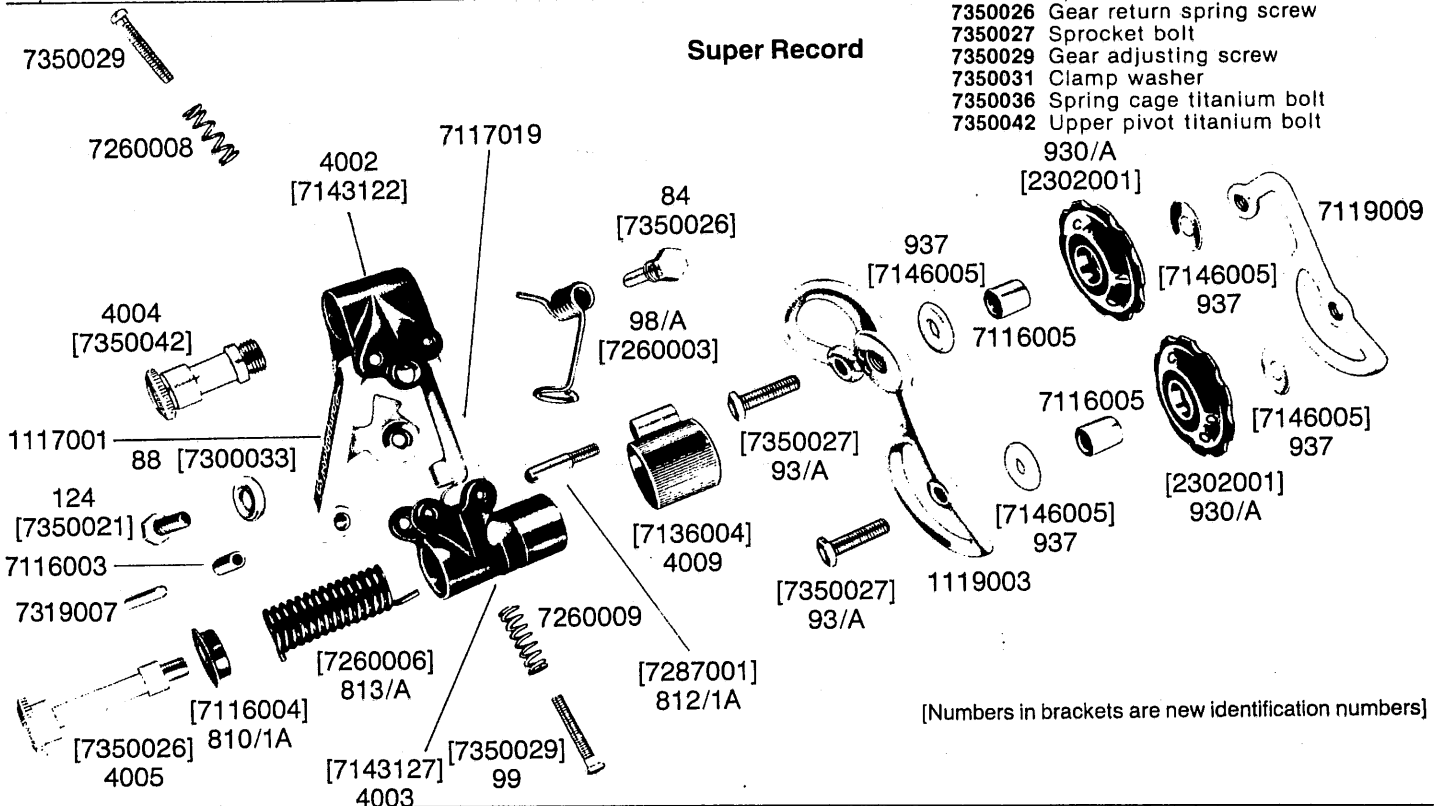
- 1117001 Front arm
- 1119003 Outer cage plate
- 2302001 Roller
- 7116003 Body ferrule
- 7116004 Lower body bush
- 7116005 Roller bush
- 7117019 Inner arm
- 7119009 Inner cage plate
- 7136004 Spring cage cover



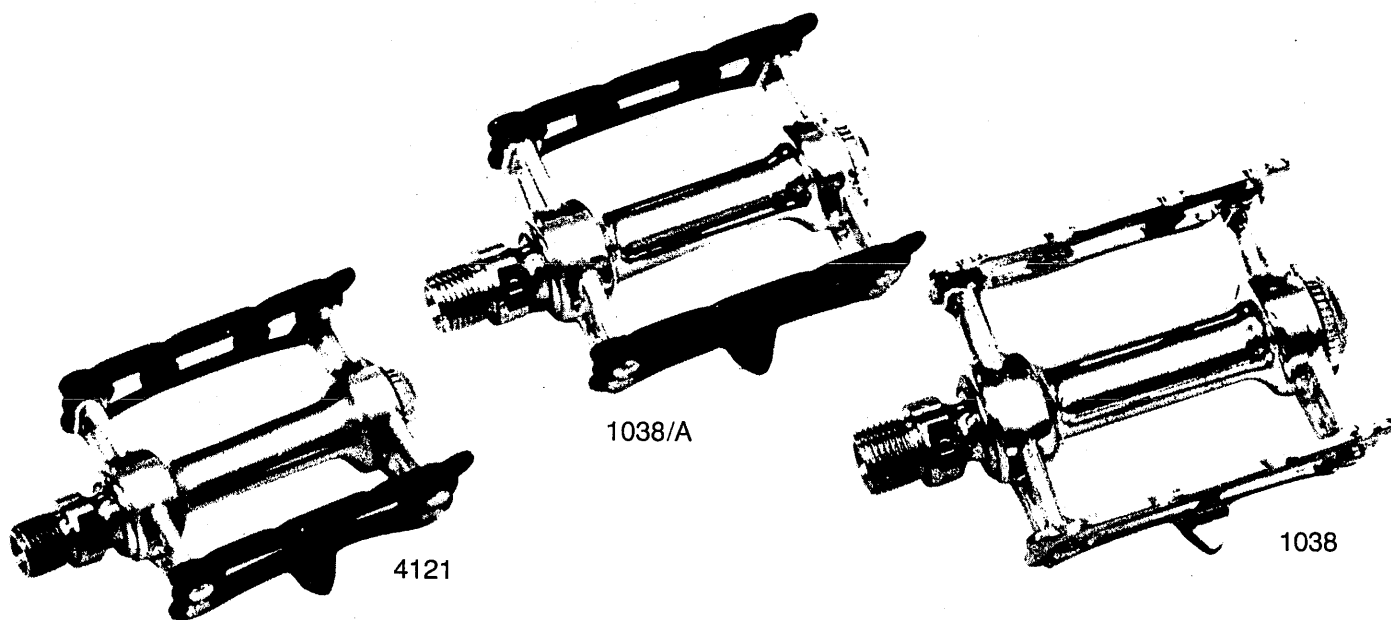
Nuovo Record

- 7143122 Upper body
- 7143127 Spring cage
- 7146005 Roller dust cover
- 7260003 Gear return spring
- 7260006 Tension spring
- 7260008 Adjusting bolt upper spring
- 7260009 Adjusting bolt lower spring
- 7287001 Grub screw
- 7300033 Cable clamp bolt washer
- 7319007 Spindle
- 7350026 Gear return spring screw
- 7350027 Sprocket bolt
- 7350029 Gear adjusting screw
- 7350031 Clamp washer
- 7350036 Spring cage titanium bolt
- 7350042 Upper pivot titanium bolt

Super Record



[Numbers in brackets are new identification numbers]



- | | |
|---|---|
| <p>89 Locking screw for superlight pedal</p> <p>669 Left hand pedal axle with thread \varnothing 9/16" x 20F. Upon request are furnished with thread M.14 x 1,25</p> <p>670 Right hand pedal axle with thread \varnothing 9/16" x 20F. Upon request are furnished with thread M.14 x 1,25</p> <p>672 Inserted race (available also in oversize)</p> | <p>673 Pedal axle washer</p> <p>674 Pedal axle cone</p> <p>675 Pedal axle lock nut</p> <p>676 Toe clip bolt</p> <p>677 Toe clip washer</p> <p>678 Inner dust cap</p> <p>679/A Superlight pedal dust cap</p> <p>2103 Set (48) special \varnothing 5/32" pedal balls selected with 1/1000 of mm. tolerance</p> |
|---|---|



672



672



674



673



675



678



679/A



89



677

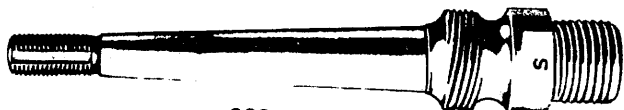


676

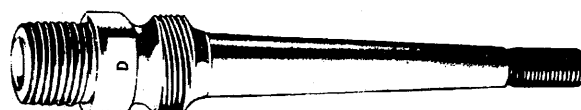
Record Road and Track and BMX



2103



669



670

- | | | | |
|---------|--|-------|---|
| 7131053 | Pedal inserted race | 89 | Toe clip locking screw for superlight pedals |
| 7133002 | Pedal axle cone | 673 | Pedal axle washer |
| 7142002 | Pedal dust cap | 675 | Pedal axle lock nut |
| 7146008 | Inner dust cap | 677 | Toe clip washer |
| 7161001 | Pedal axle lock nut | 678 | Inner dust cap |
| 7281066 | Right hand pedal axle with thread \varnothing 9/16" x 20 F | 679/A | Pedal dust cap |
| 7281067 | Left hand pedal axle with thread \varnothing 9/16" x 20 F | 4024 | Super Record right hand Titanium pedal |
| 7300001 | Pedal axle washer | 4025 | Super Record left hand Titanium pedal |
| 7300002 | Toe clip washer | 4026 | Inserted pedal race (available also in oversize) |
| 7350003 | Pedal locking screw | 4027 | Pedal axle cone |
| | | 4028 | Set (64) special \varnothing 1/8" pedal balls selected with 1/1000 of mm. tolerance |



7131053



7131053



7133002



[7300001]
673



[7161001]
675



7146008



[7142002]
679/A

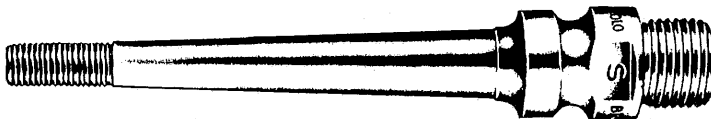
Gran Sport



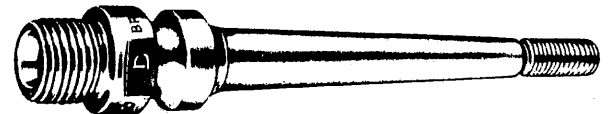
[7300002]
677



[7350003]
676



7281067



7281066



4026



4026



4027



673



675



678



679/A

Super Record Road and Track



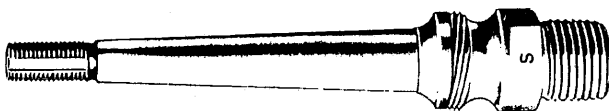
677



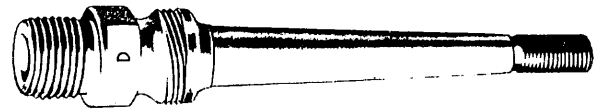
89



4028



4025



4024

[Numbers in brackets are new identification numbers]

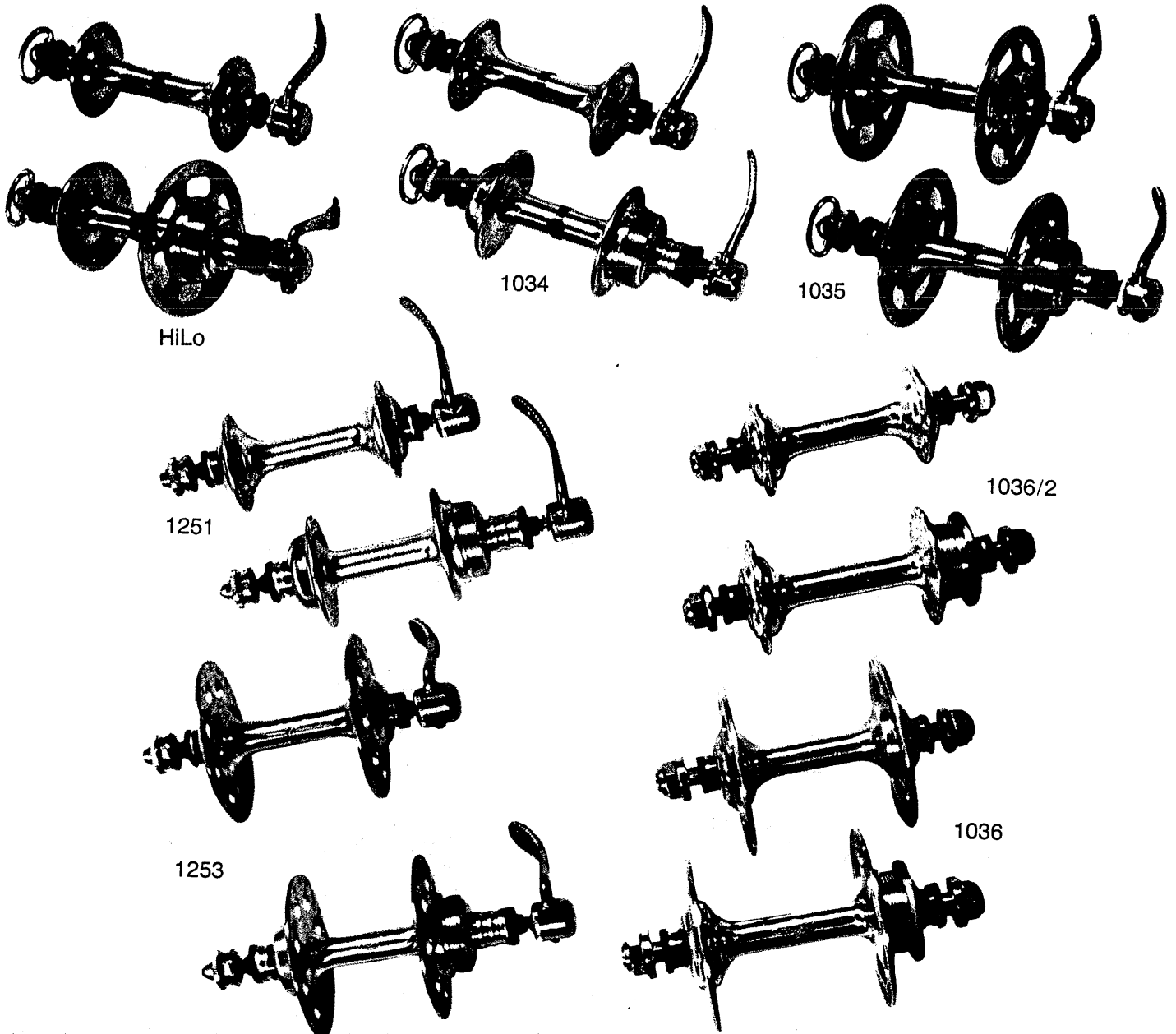
Hubs

HUBS

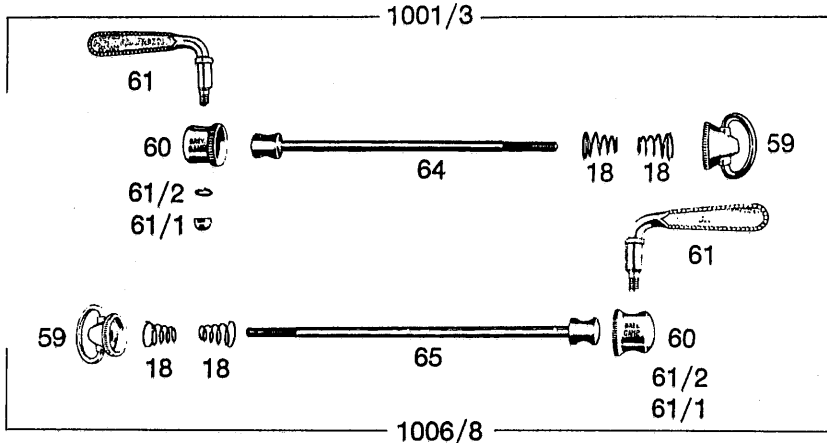
- 1034 Record road, small flange
- 1035 Record road, large flange
- HiLo Record road, small flange front,
large-small flange rear¹
- 1036 Record track, large flange
- 1036/2 Record track, small flange
- 1251 Gran Sport road, small flange
- 1253 Gran Sport road, large flange

¹Available with English threading and five speed spacing only.

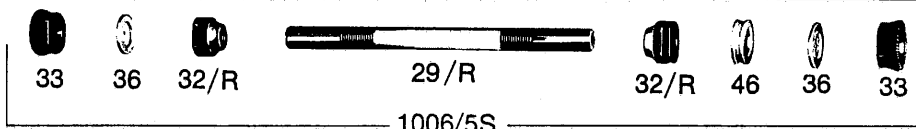
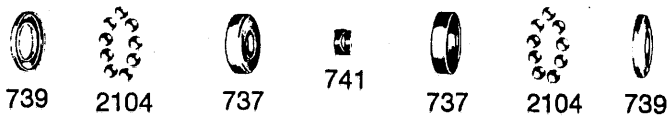
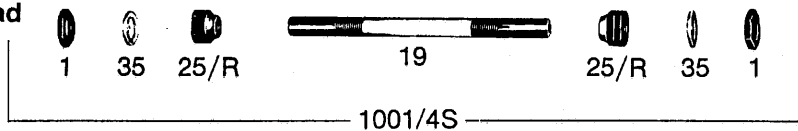
See Grupos for specifications.



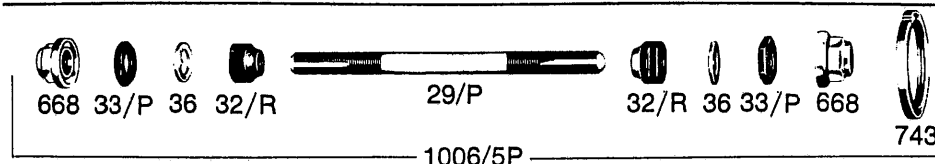
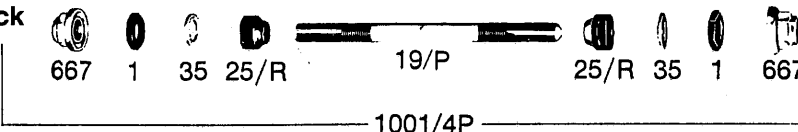
Record Hub parts



Road

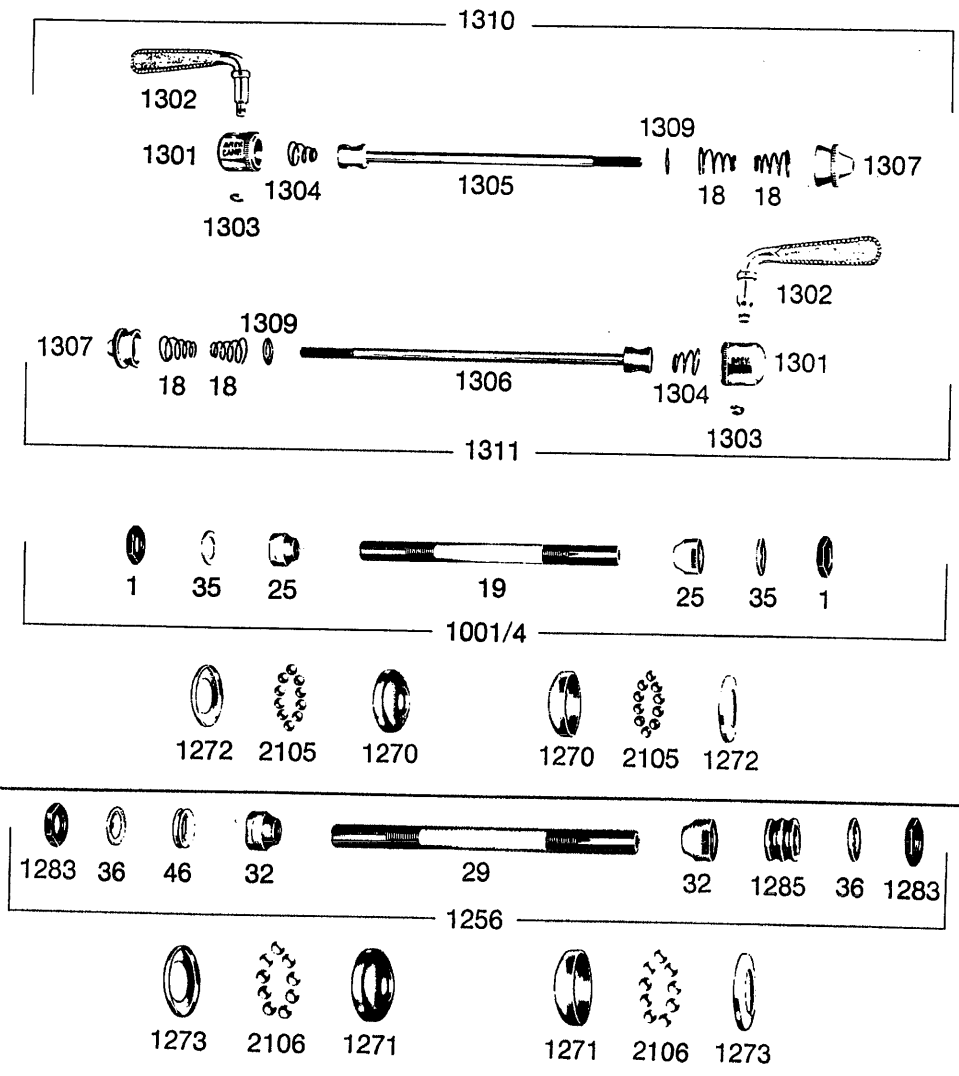


Track



- 1 Front lock nut
- 18 Conical spring
- 19 Front hollow axle
- 25/R Front cone
- 29/R Rear hollow axle (132mm long)
Upon request are furnished
spindles 132 - 134 and 140 mm.
long
- 32/R Rear cone
- 33 Rear lock nut
- 35 Front hub lock washer
- 36 Rear hub lock washer
- 46 Rear spacing collar
- 59 Quick release conical adjuster
- 60 Quick release cap
- 61 Quick release lever
- 61/1 Domed nut
- 61/2 Grower washer
- 64 Quick release front skewer
- 65 Quick release rear skewer
- 737 Front ball cup
- 738 Rear ball cup
- 739 Front dust cover
- 740 Rear dust cover
- 741 Spring clip
- 1001/3 Complete front quick release
skewer for Record hub
- 1001/4S Complete front axle for Record
road hub
- 1006/5S Complete rear axle for Record hub,
five speed.
- 1006/6S Complete rear axle for Record hub,
six speed.
- 1006/8 Complete rear quick release scwer
for Record hub, five speed.
- 1006/8x6 Complete rear quick release scwer
for Record hub, six speed.
- 2104 Set (9+9) special \varnothing 7/32" balls
selected with 1/1000 of mm.
tolerance
- 2106 Set (9+9) special \varnothing 1/4" balls
selected with 1/1000 of mm.
tolerance
- 19/P Front track solid spindle axle
- 29/P Rear track solid spindle axle
- 33/P Rear lock nut
- 667 Track front nut
- 668 Track rear nut
- 743 Track lock ring
- 1001/4P Complete front axle for Record
track hub
- 1006/5P Complete rear axle for Record
track hub

- 1 Front lock nut
- 18 Conical spring
- 19 Front hollow axle
- 25 Front cone
- 29 Rear hollow axle (132mm long).
Upon request is
furnished with the 134mm long spindle.
- 32 Rear cone
- 35 Front hub lock washer
- 36 Rear hub lock washer
- 46 Rear spacing collar
- 1001/4 Complete front hollow spindle for
Nuovo Tipo hub
- 1256 Complete rear hollow spindle for
Nuovo Tipo hub
- 1270 Front ball cup
- 1271 Rear ball cup
- 1272 Front dust cover
- 1273 Rear dust cover
- 1283 Rear lock nut
- 1285 Large spacing collar
- 1301 Quick release cap
- 1302 Quick release lever
- 1303 Circlip for lever
- 1304 Conical tension spring
- 1305 Quick release front skewer
- 1306 Quick release rear skewer
- 1307 Knurled adjusting nut
- 1309 Washer for skewer
- 1310 Complete front quick release
skewer for Nuovo Tipo hub
- 1311 Complete rear quick release
skewer for Nuovo Tipo hub
- 2105 Set (10+10) special \varnothing 3/16"
balls selected with 1/1000 of mm.
tolerance
- 2106 Set (9+9) special \varnothing 1/4"
balls selected with 1/1000 of mm.
tolerance



Gran Sport Hub parts

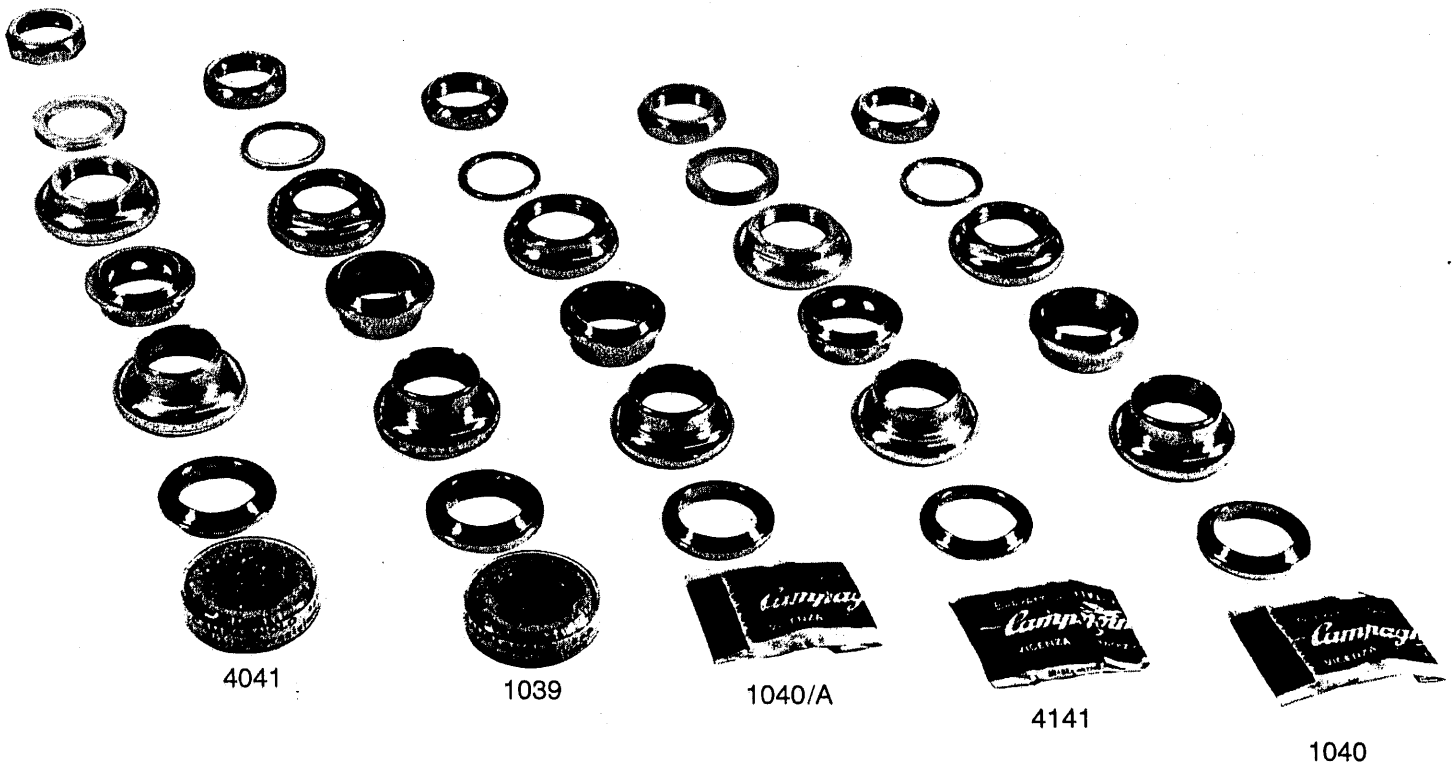
Headsets

HEADSETS

1039	Record road
1040	Record track
1040/A	Gran Sport road
4041	Super Record road
4141	Super Record track

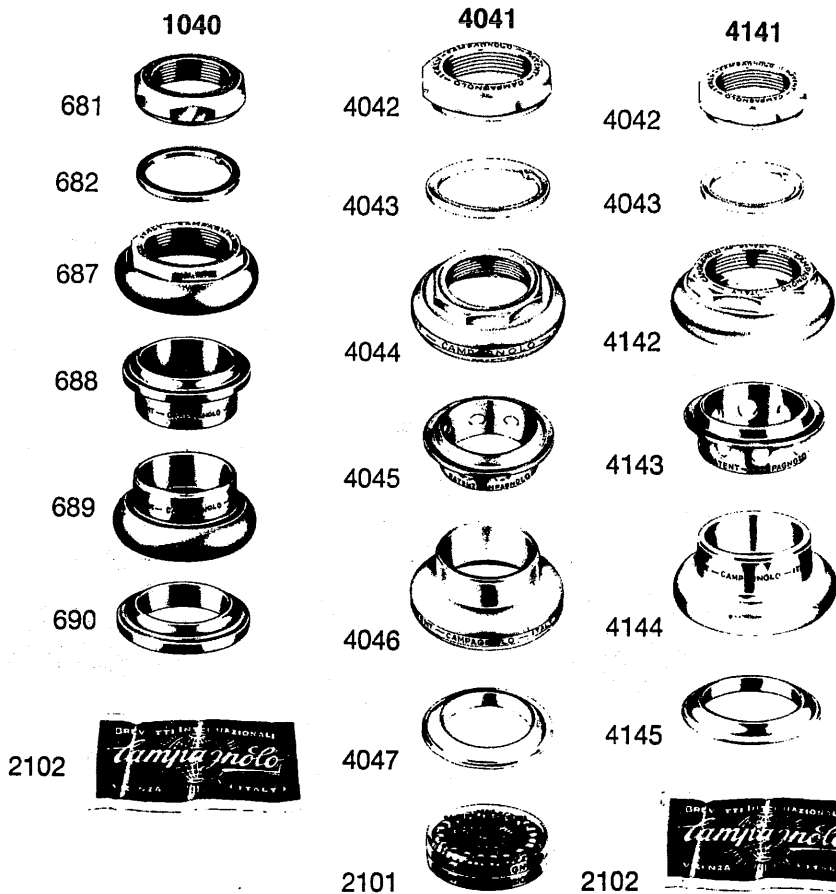
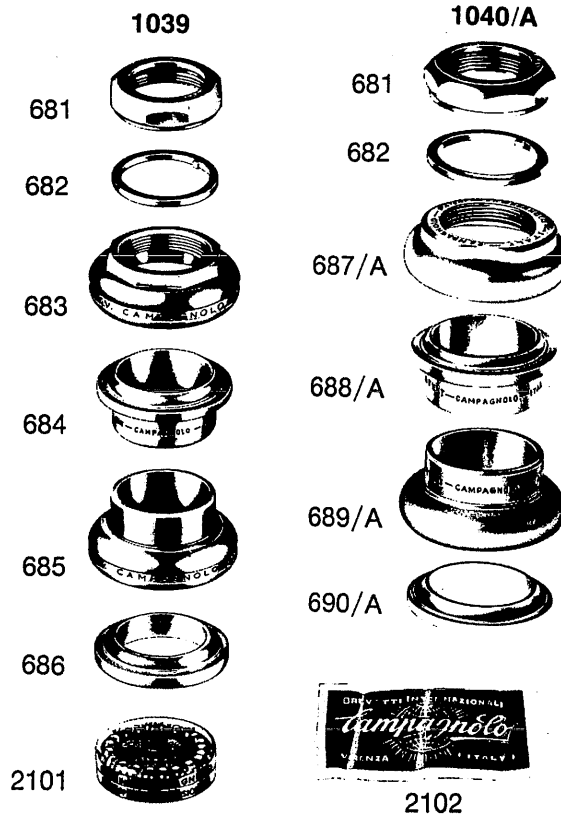
See Grupos for specifications.

Bearings #2101 for 1039 and 4041
#2102 for 1040, 1040/A, and 4141



- 681 Locking nut
(specify type of threading)
- 682 Locking washer
- 683 Screwed road race
(specify type of threading)
- 684 Road top head race
(0,5 mm. larger gauge available)
- 685 Road bottom head race
(0,5 mm. larger gauge available)
- 686 Road crown race
(smaller diameter available)
- 2101 Set bearings with (20+20)
special b/b \varnothing 3/16" balls
selected with 1/1000 of mm.
tolerance
- 687/A Sport screwed race
(specify type of threading)
- 688/A Sport top head race
(0,5 mm. larger gauge available)
- 689/A Sport bottom head race
(0,5 mm. larger gauge available)
- 690/A Sport crown race
(smaller diameter available)
- 2102 Set (25+25) special \varnothing 5/32"
balls selected with 1/1000 of
mm. tolerance
- 687 Track screwed race
(specify type of threading)
- 688 Track top head race
(0,5 mm. larger gauge available)
- 689 Track bottom head race
(0,5 mm. larger gauge available)
- 690 Track crown race
(smaller diameter available)
- 4042 Super Record locking nut
(specify type of threading)
- 4043 Super Record locking washer
- 4044 Super Record screwed road race
(specify type of threading)
- 4045 Super Record road top head
race (0,5 mm. larger
gauge available)
- 4046 Super Record road bottom head
race (0,5 mm. larger
gauge available)
- 4047 Super Record road crown race
(smaller diameter available)
- 4142 Super Record track screwed race
(specify type of threading)
- 4143 Super Record track top head
race (0,5 mm. larger gauge
available)
- 4144 Super Record track bottom head
race (0,5 mm. larger gauge
available)
- 4145 Super Record track crown race
(smaller diameter available)

Note: See Gruppo for thread specifications.



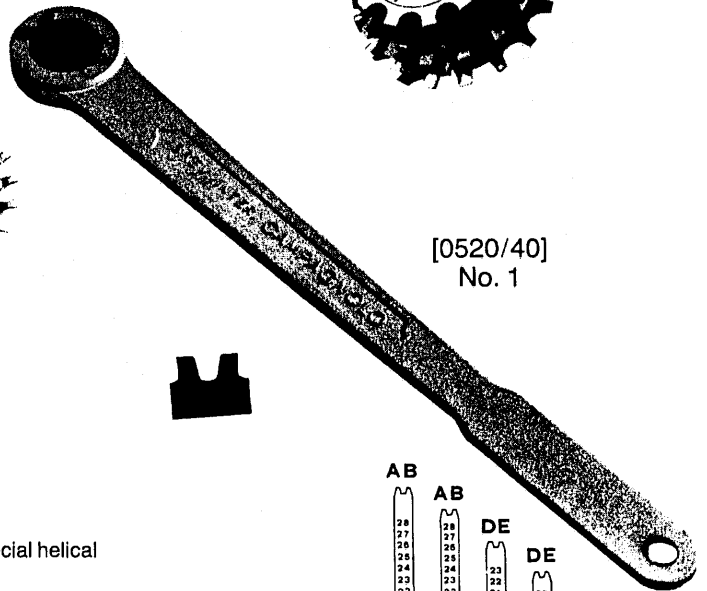
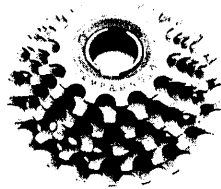
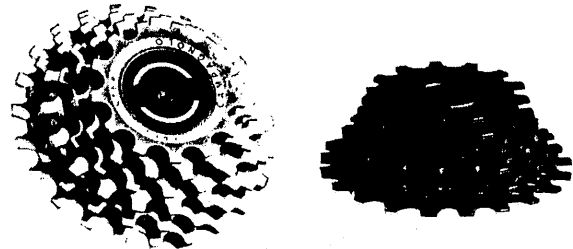
Freewheel

FREEWHEEL	Six Speed Available in the Following Ranges: TEETH	
	12-13-14-15-16-17	13-14-16-18-20-22
	12-13-14-15-17-19	13-15-17-19-21-23
	12-13-14-16-18-20	13-15-18-20-22-24
	13-14-15-16-17-18	14-15-16-17-19-21
	13-14-15-16-18-20	14-15-17-19-21-23
	13-14-15-17-19-21	14-16-19-22-24-26

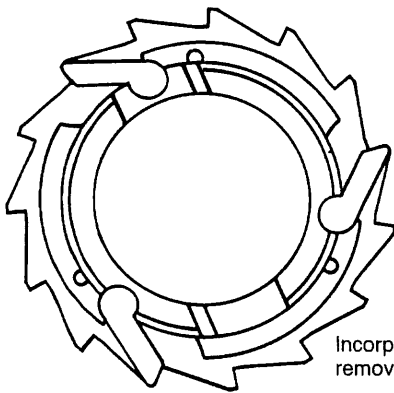


Freewheel Tool Kit

A complete set of tools to disassemble and assemble the worlds best freewheel.

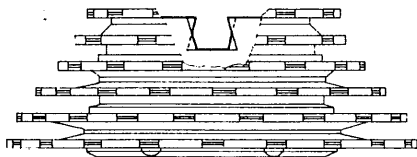
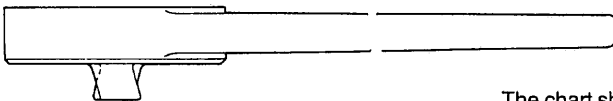


[0520/40]
No. 1



Incorporates a 3 pawl design and special helical removing tool.

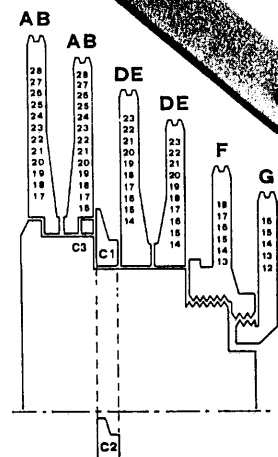
Freewheel weight between 114 and 170 grams.



The chart shows the position and teeth available at each of these positions.

The C-2 spacer is for use with the B-16 sprocket.

All other combinations use the C-1 and C-3 spacers.

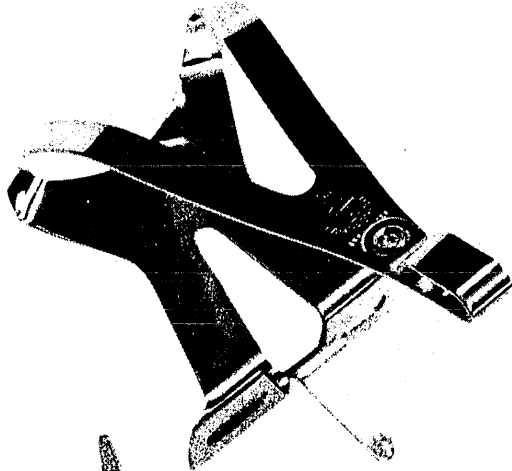


Toe Clips

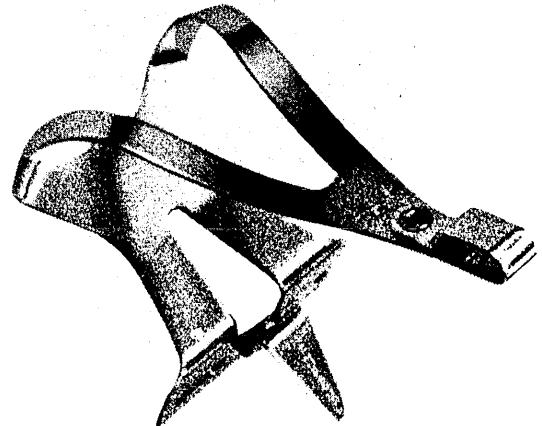
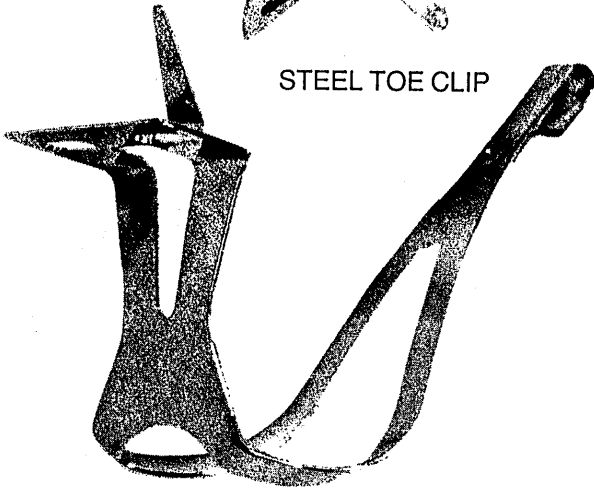
The Campagnolo toe clip is anatomically contoured to fit the instep of the foot without modification. The toe-clip also has a patented shoe plate which helps the shoe slide smoothly into position without jamming. The aluminum version is tempered for strength. The steel is chrome-plated.

The toe clip fits all Campagnolo pedals. Sizes are small, medium and large.

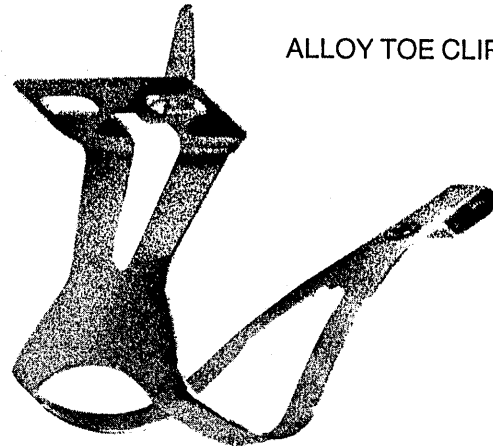
Weights	Steel	Aluminum
Small	32 gms	12 gms
Medium	36 gms	13.4 gms
Large	40 gms	14.8 gms



STEEL TOE CLIP



ALLOY TOE CLIP

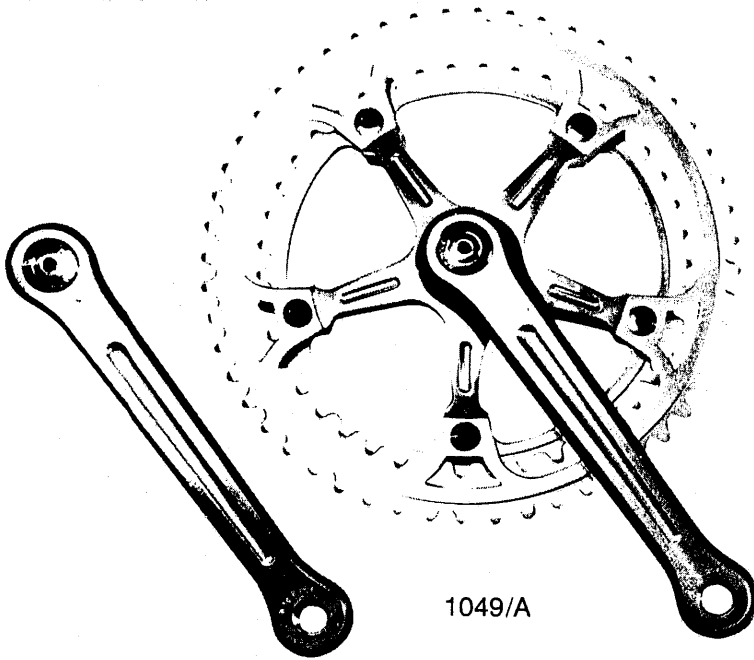


Chainwheels

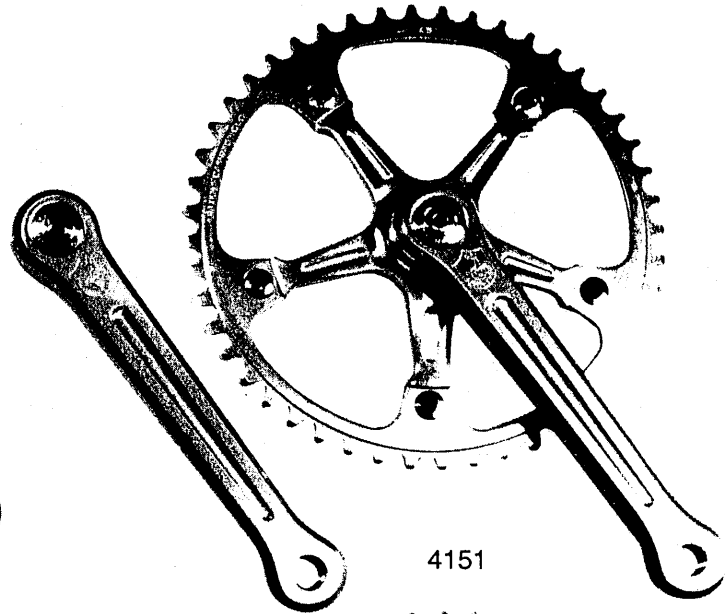
CHAINWHEELS

1049	Record road
1049/3	Record triple 42 teeth low*
1049/4	Record cyclocross*
1049/5	Record triple 36 teeth low, special right hand arm*
1049/A	Super Record road
1051	Record track
4151	Super Record Track

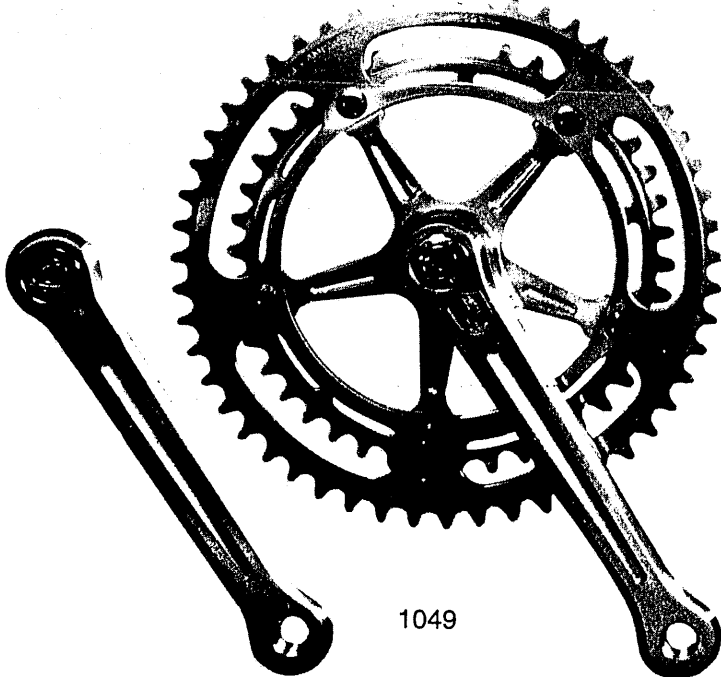
*Not Pictured.



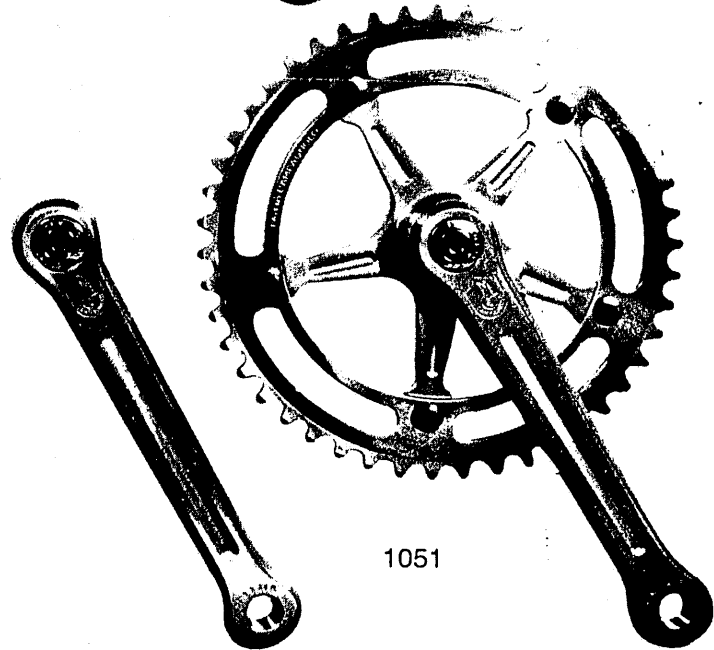
1049/A



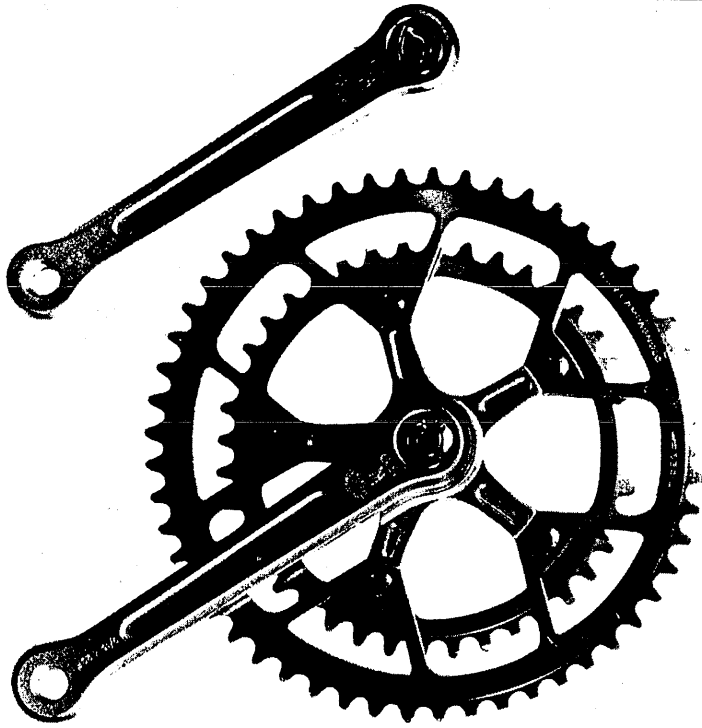
4151



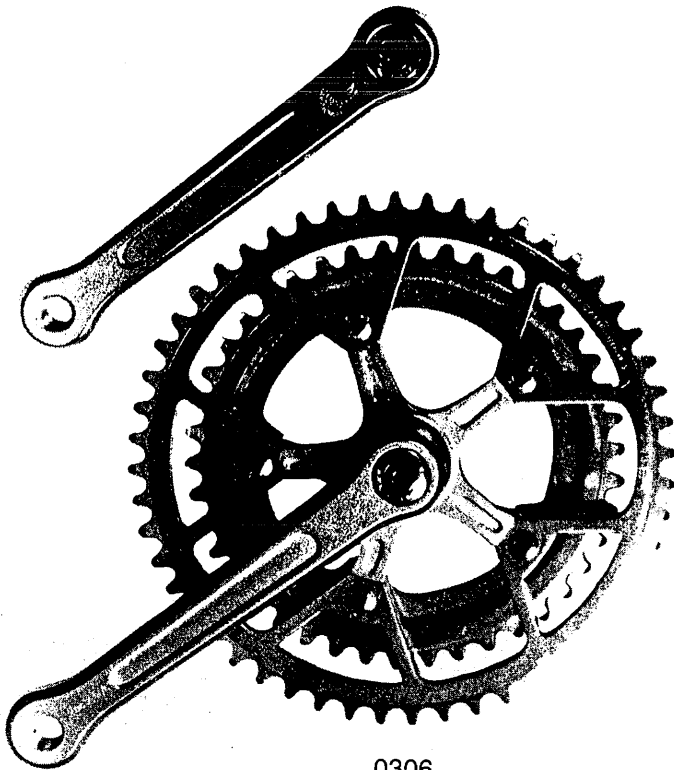
1049



1051



0305



0306

- 0304 Gran Sport
- 0305 Gran Sport touring, 116mm bolt pattern, road
- 0306 Gran Sport touring, 116mm bolt pattern, triple

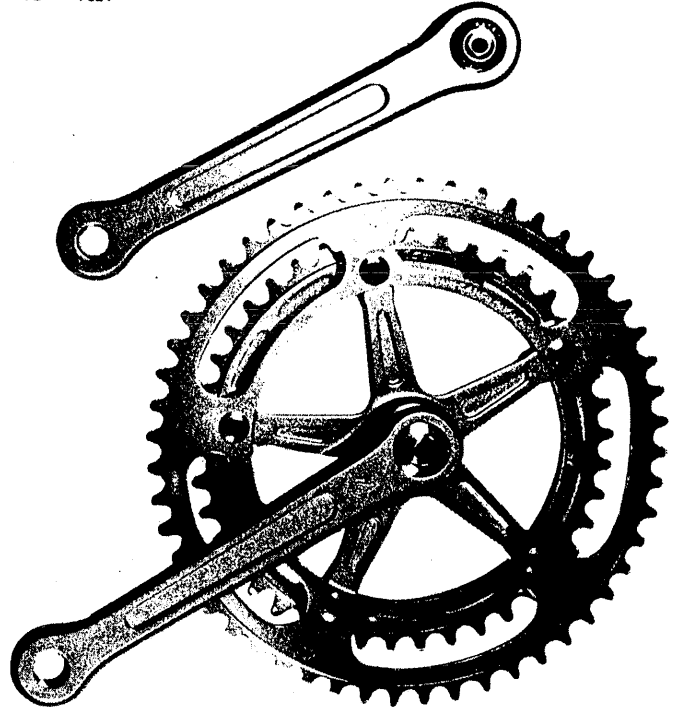
Record road chainrings, #753, 41 to 57 teeth
Super Record road chainrings, #753/A, 42 to 57 teeth
Gran Sport road chainrings, #753/GS, 42 to 57 teeth

Record, Super Record, and Gran Sport chainrings are interchangeable $\frac{1}{2}'' \times \frac{3}{32}''$.

Record track chainrings, #760, 44 to 57 teeth
Super Record track chainrings, #760/A, 44 to 57 teeth

Record and Super Record track chainrings are interchangeable, $\frac{1}{2}'' \times \frac{1}{8}''$, $\frac{1}{2}'' \times \frac{3}{32}''$ by special order.

Gran Sport Touring road chainrings, 753/T, 35 to 43 teeth, and 50 to 53 teeth, 116mm bolt circle, $\frac{1}{2}'' \times \frac{3}{32}''$.

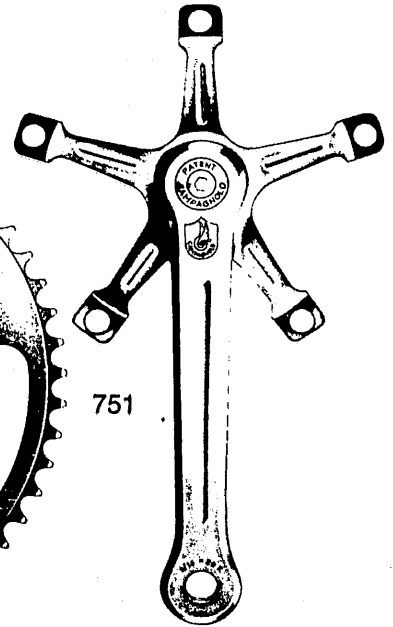
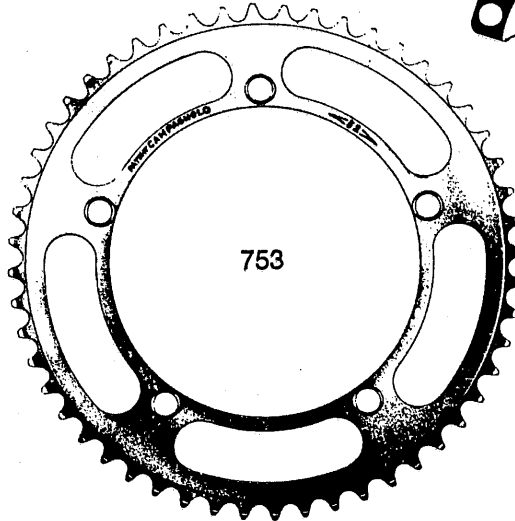


0304

- 751 Right hand road crank
(complete with cover 756,
170 mm. long).
- 752 Left hand road crank
(complete with cover 756,
170 mm. long).
- 753 Road chainring
- 754 Road chainwheel fastening screw
- 755 Road chainwheel fastening nut
- 756 Crank cover plate
- 801 Spacer for single chainring
- 751 Right hand road crank
(complete with cover 756,
170 mm. long).
- 752 Left hand road crank
(complete with cover 756,
170 mm. long).
- 753/A Super Record road chainring
- 754 Road chainwheel fastening screw
- 755 Road chainwheel fastening nut
- 756 Crank cover plate
- 801 Spacer for single chainring

Note: See Gruppis for specifications.

Record Road



752



756



755

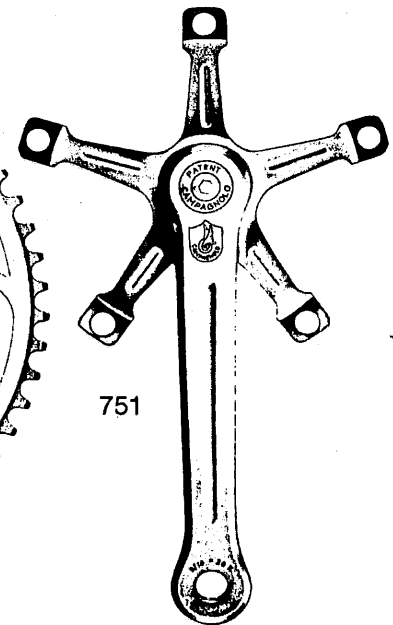
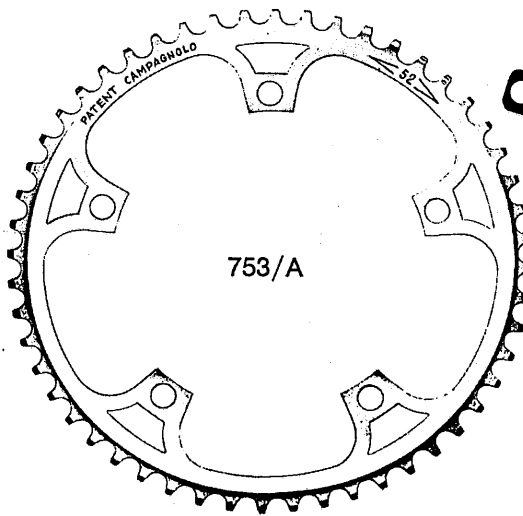


754



801

Super Record Road



752



756



755



754



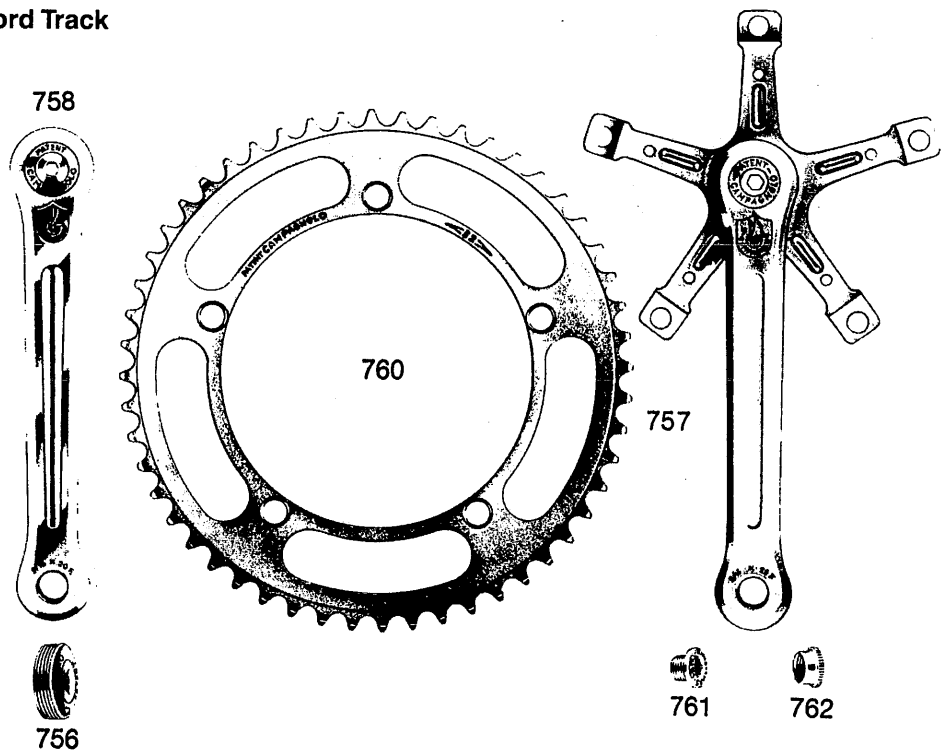
801

- 756 Crank cover plate
- 757 Track right hand crank
(complete with cover 756,
170 mm. long).

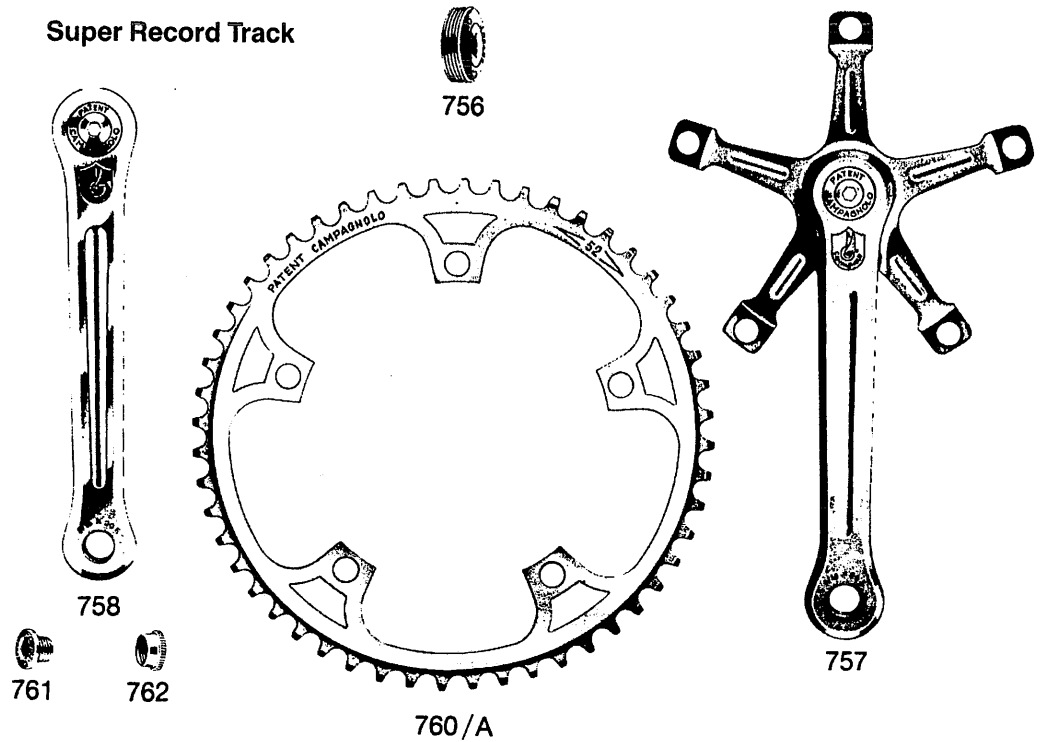
Record Track

- 758 Track left hand crank (complete
with cover 756, 170 mm. long).
- 760 Record track chainring
- 761 Track chainwheel fastening screw
- 762 Track chainwheel fastening nut
- 756 Crank cover plate
- 757 Track right hand crank
(complete with cover 756,
170 mm. long).
- 758 Track left hand crank
(complete with cover 756,
170 mm. long).
- 760/A Super Record track chainring
- 761 Track chainwheel fastening screw
- 762 Track chainwheel fastening nut

Note: See Grupos for specifications.

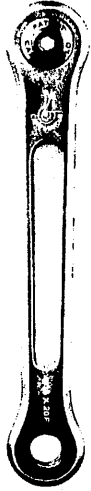


Super Record Track



- | | | | | | |
|----------|--|-----|--|-----|--|
| 1288086 | Right hand Gran Sport crank
(170 mm long, complete with
cover 7136002, with pedal hole
Ø 9/16" x 20 F). | 751 | Right hand road crank
(complete with cover 756,
170 mm. long). | 753 | Road chainring |
| 1288087 | Left hand Gran Sport crank
(170 mm long, complete with
cover 7136002, with pedal hole
Ø 9/16" x 20 F) | 752 | Left hand road crank
complete with cover 756,
170 mm. long). | 756 | Crank cover plate |
| 7136002 | Crank cover plate | | | 830 | Triple chainring and
cyclocross fixing bolt |
| 7161022 | Chainwheel fastening nut | | | 831 | Nut for bolt 830 |
| 7350018 | Chainwheel fastening screw | | | 832 | Triple chainring and cyclocross
spacer |
| 72301... | Road chainring | | | | |
- Note: See Grupos for specifications.

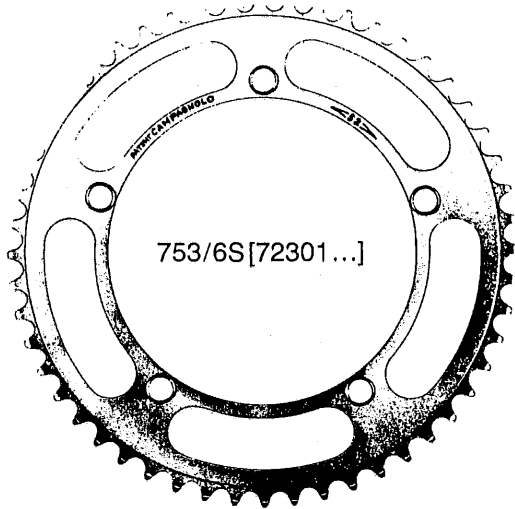
Gran Sport



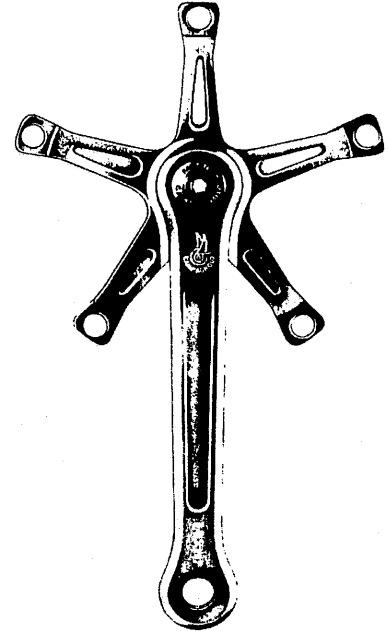
3321/5F [1288087]



756 [7136002]



753/6S [72301...]



3322/5F [1288086]



755 [7161022]

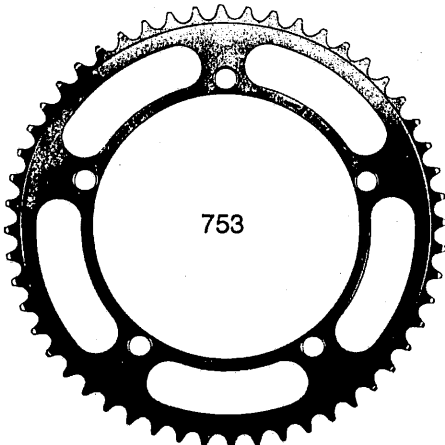


754 [7350018]

Record Triple, 41 Teeth Low



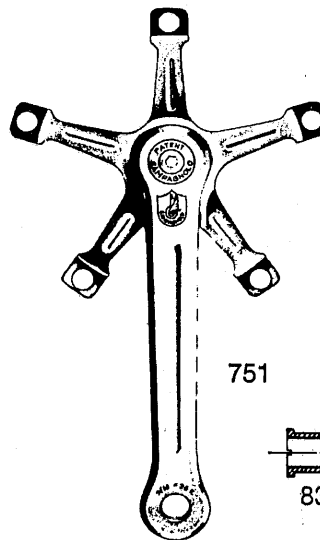
752



753



756



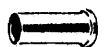
751



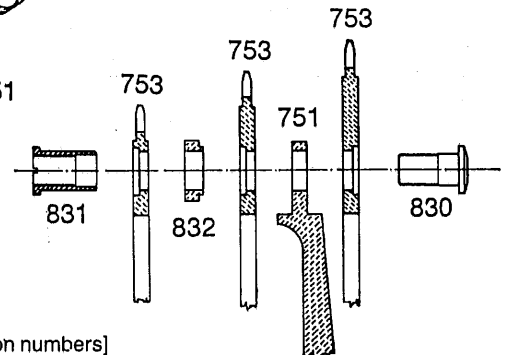
830



832



831

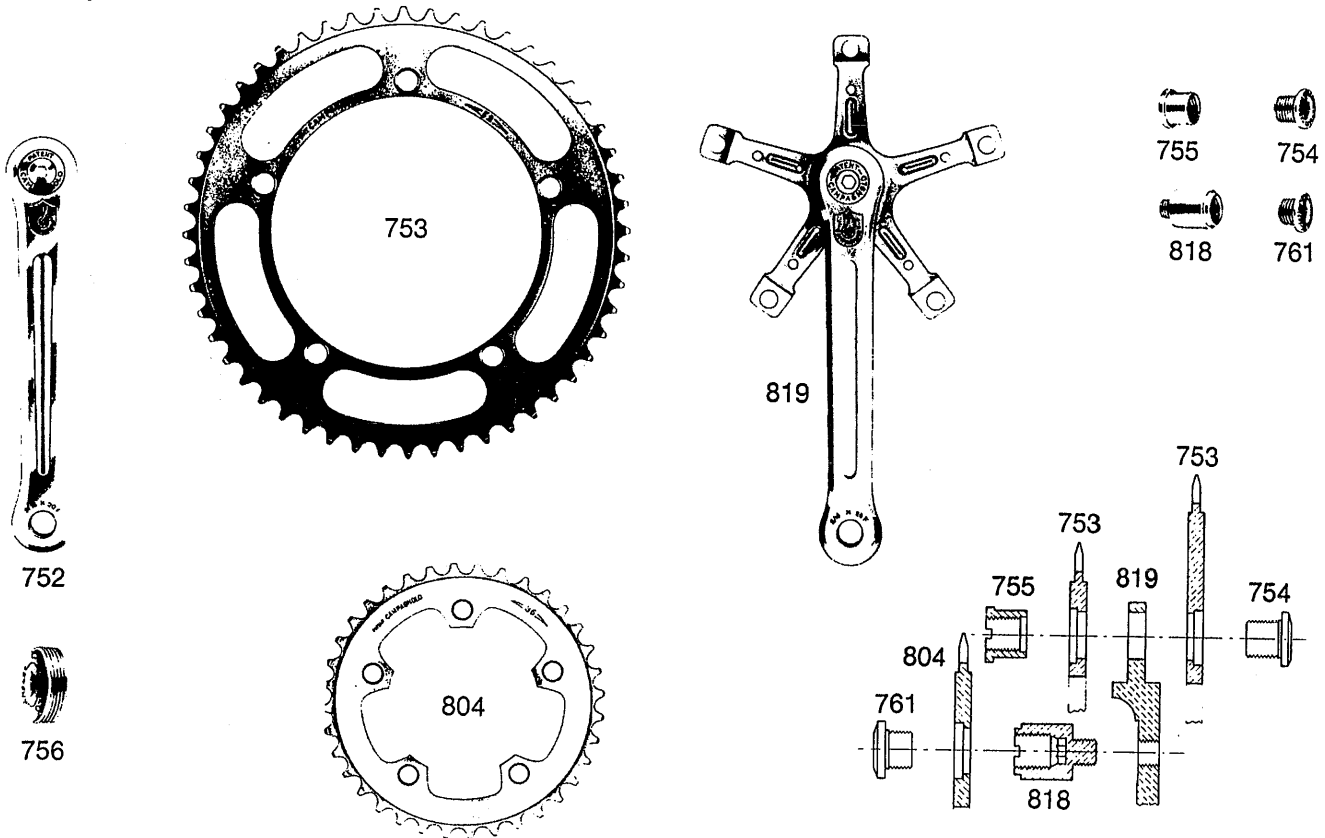


[Numbers in brackets are new identification numbers]

- | | | | |
|-----|--|-----|--|
| 752 | Road left hand crank
(complete with cover 756,
170 mm. long) | 761 | Track chainwheel fastening
screw |
| 753 | Road chainring | 804 | Chainring for 1/2" x 3/32"
(2 mm.) chain with fixed 36 teeth |
| 754 | Road chainwheel fastening screw | 818 | Triple chainring spacer |
| 755 | Road chainwheel fastening nut | 819 | Right crank for special triple
chainring
(complete with cover plate
756 - 170 mm. long) |
| 756 | Crank cover plate | | |

Record Triple, 36 Teeth Low

Note: See Grupos for specifications.



Between 1978 and 1979 Campagnolo changed the design of the right crank arm. This change makes more space between the outer chainring and the inside of the crank arm. In order to maintain the correct chainline, a new axle was designed, the identification of which is explained in the selection on Bottom Brackets. All new Nuovo and Super Record Cranksets are of the new style, however many old style units are still being used. To identify the new style, look at the collar around the axle hole on the back of the arm. The new style has a raised collar 5-6mm wide and 2mm high. The old style collar is 10-11mm wide and 3mm high. Once you have seen both, the difference is obvious. The old arm will work on the new axle but the new arm will not usually work on old style axles.

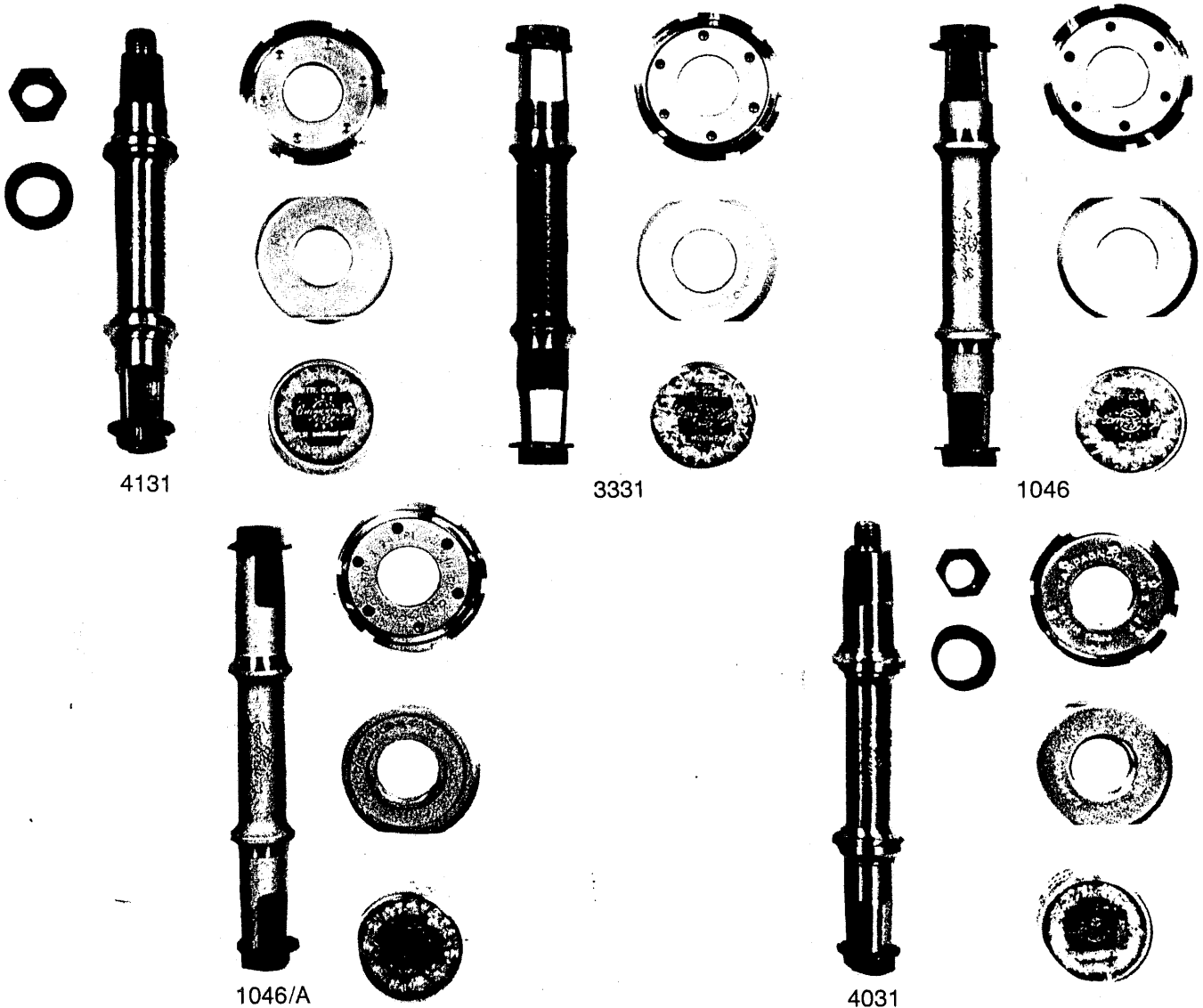
The reason for this change is because of the Consumer Product Safety Commission's rules on bicycles. The definition of "PROTRUSION" is such that it included the outer tange plate of the front derailleur. To meet regulations, Campagnolo thickened the tange and the crank had to be modified to accommodate the change.

Bottom Brackets

BOTTOM BRACKETS

- 1046** Record road and track
- 1046/3** Record triple and cyclocross*
- 1046/A** Nuovo Record road
- 3331** Gran Sport road
- 5031/00** Gran Sport Touring triple*
- 4031** Super Record road, titanium axle
- 4131** Super Record track, titanium axle
see Gruppo description for thread specifications.

THREADS	Super Record Road	Super Record Track	Nuovo Record Road	Record Road	Record Track	Record Cyclocross	Gran Sport	Gran Sport Touring
French	+	+	+	+	-	+	+	+
English	+	+	+	+	+	+	-	+
Italian	+	+	+	+	+	+	+	+
Swiss			+					
0.5mm Oversize			+					
BOTTOM BRACKET WIDTH								
65mm					+			
68mm	+	+	+	+	+	+	+	+
70mm	+	+	+	+	+	+	+	+
74mm				+				



- 744/1 Triple chainring cotterless spindle. See measurements and indicate spindle size
- 745 Fixed cup. Indicate required thread
- 746 Adjustable cup. Indicate required thread
- 747 Lockring with normal 3,5 mm. thickness (available also with 4 mm. and 4,5 mm. thickness) Indicate required thread
- 748 Fixing screw
- 749 Fixing washer
- 2100 Set (11+11) special \varnothing 1/4" balls selected with 1/1000 of mm. tolerance
- 744/A Nuovo Record cotterless road spindle. See measurements and indicate spindle size
- 745/A Fixed cup. Indicate required thread
- 746/A Adjustable cup. Indicate required thread
- 747 Lockring with normal 3,5 mm. thickness (available also with 4 mm. and 4,5 mm. thickness). Indicate required thread
- 748 Fixing screw
- 749 Fixing washer
- 2100 Set (11+11) special \varnothing 1/4" balls selected with 1/1000 of mm. tolerance
- 2110 Record sleeve
- 2110/1 Cone for sleeve

In order to comply with CPSC regulations, Campagnolo changed the design of the crank arms in 1978. The modification of the arms necessitated a new axle to be provided. The new axles are identified by looking at the markings between the bearing races.

Old Style Axles	New Style Axles
68 SS 120	68 SS -or- 68 SS 120 + 1.0 + 1.5
70 SS 120	70 SS -or- 70 SS 120 + 1.0 + 1.5

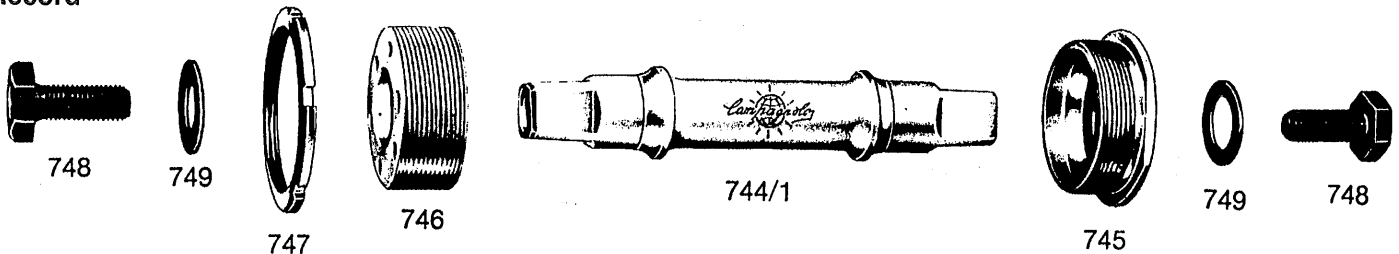
The new axles are usable with old style cranks. The old style axles may or may not work with new style arms.

Super Records were originally hollow with threaded bolt holes. The new style titanium axles are solid and use nuts rather than bolts.



2100

Record



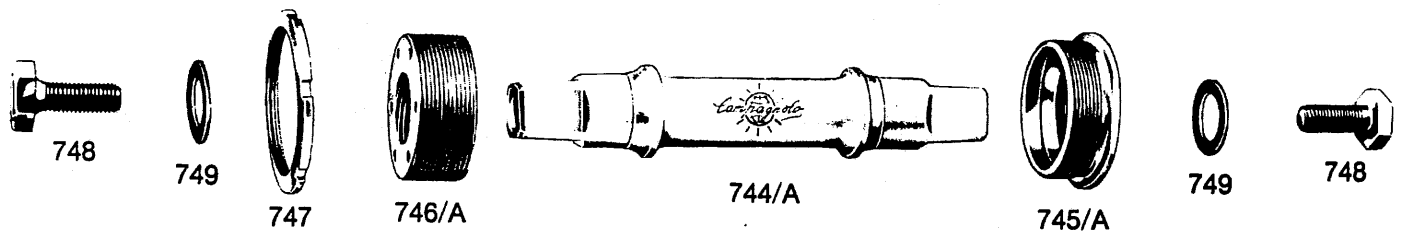
Nuovo Record

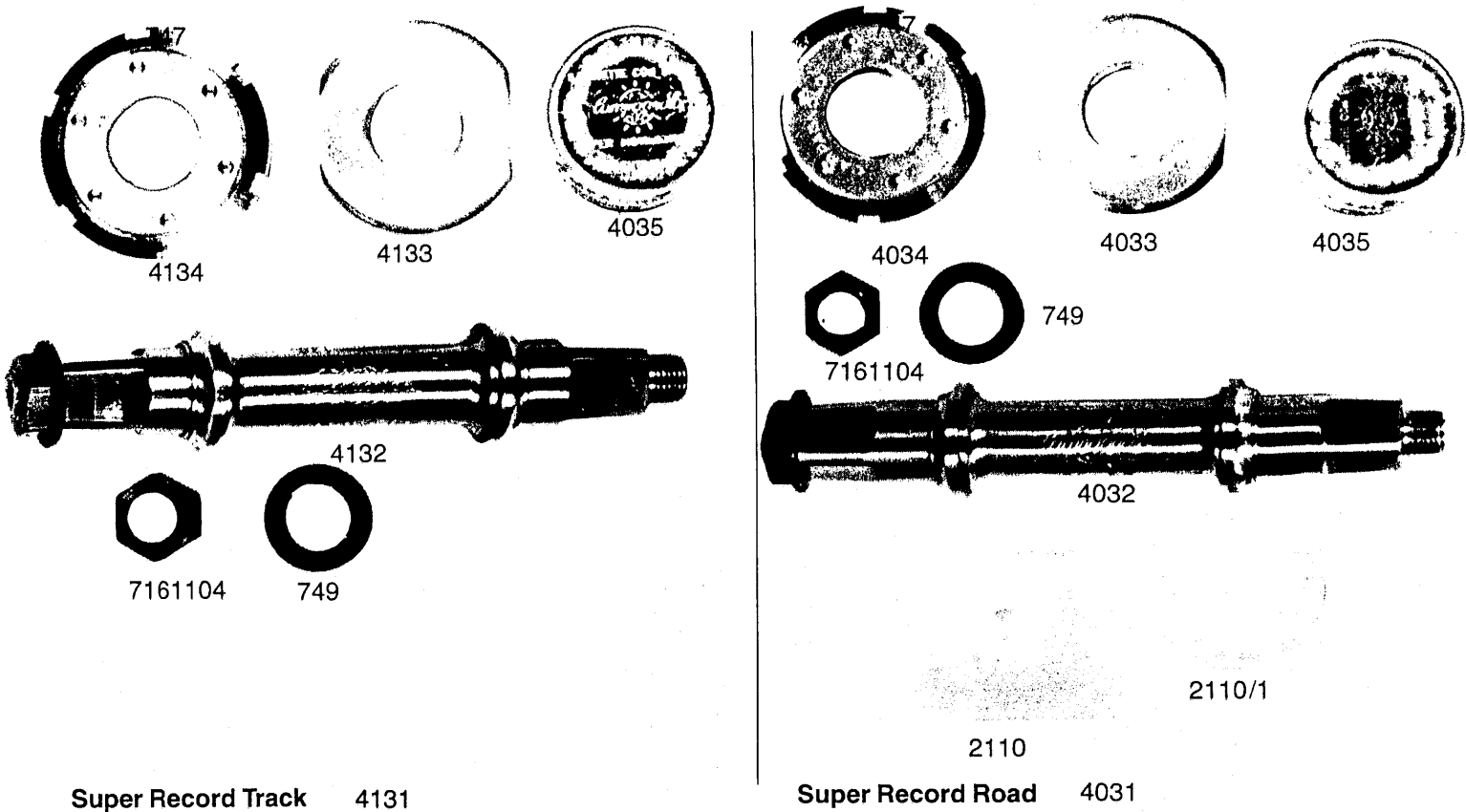
2110/1

2110



2100

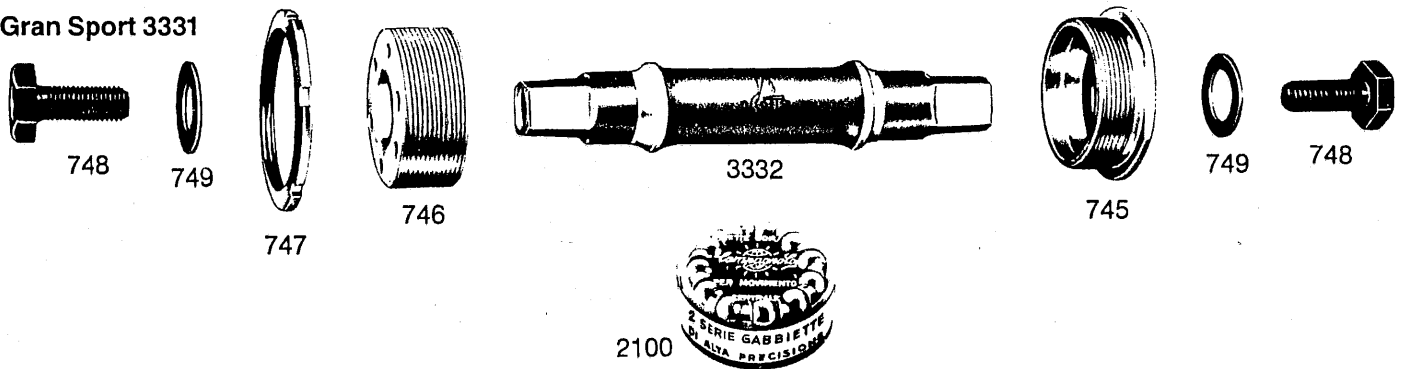




Super Record Track 4131

Super Record Road 4031

Gran Sport 3331



- 747 Lockring with normal 3.5mm thickness (available also with 4mm and 4.5mm thickness). Indicate required thread
- 749 Fixing washer
- 2110 Record sleeve
- 2110/1 Cone for sleeve
- 4032 Super Record cotterless Titanium road spindle. See measurements and indicate spindle size.
- 4033 Fixed cup. Indicate required thread
- 4034 Adjustable cup. Indicate required thread
- 4035 Set (14 + 14) special $\varnothing \frac{9}{16}$ " b/b balls selected with 1/1000 of mm tolerance.
- 7161104 Fixing nut

- 747 Lockring with normal 3.5mm thickness (available also with 4mm and 4.5mm thickness). Indicate required thread
- 749 Fixing washer
- 4035 Set (14 + 14) special $\varnothing \frac{9}{16}$ " b/b balls selected with 1/1000 of mm tolerance.
- 4132 Super Record cotterless Titanium track spindle. See measurements and indicate spindle size.
- 4133 Fixed cup. Indicate required thread
- 4134 Adjustable cup. Indicate required thread
- 7161104 Fixing nut

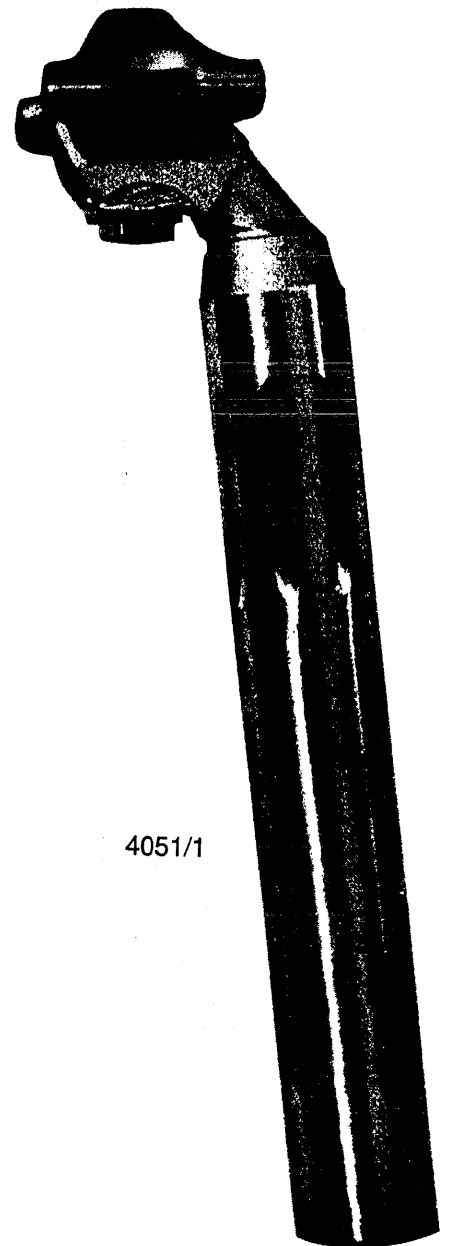
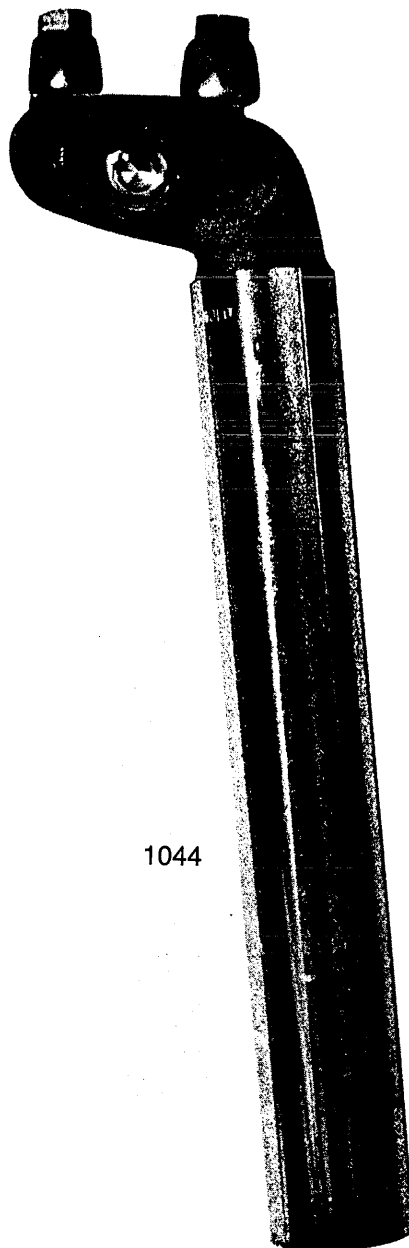
- 745 Fixed cup. Indicate required thread
- 746 Adjustable cup. Indicate required thread
- 747 Lockring with normal 3,5 mm. thickness (available also with 4 mm. and 4.5 mm. thickness) Indicate required thread
- 748 Fixing screw
- 749 Fixing washer
- 2100 Set (11+11) special $\varnothing \frac{1}{4}$ " balls selected with 1/1000 of mm. tolerance
- 3332 Sport cotterless spindle. See measurements and indicate spindle size

Seat Posts

SEAT POST

- 1044 Record seat post
- 3800 Gran Sport seat post
- 4051/1 Nuovo Super Record seat post.

See Gruppo specifications for diameters and lengths.





698



699



703



1160/03 [7320017]



1160/02 [7316006]



701



702



700



1160/01 [7300068]



1160/04 [7350082]

0124061/70 Nuovo Super Record seat pin
(pin length 180 mm). Specify
diameter stem: 25 - 25.8 - 26
26.2 - 26.4 - 26.6 - 26.8 - 27
27.2 - 27.4 mm.

- 7350082 Fixing bolt
- 7300068 Convex washer
- 7320017 Locking bracket
- 7316006 Sliding support
- 698 Front bracket
- 699 Rear bracket
- 700 Bolt nut
- 701 Left hand side support
- 702 Right hand side support
- 703 Fixing and adjusting bolt

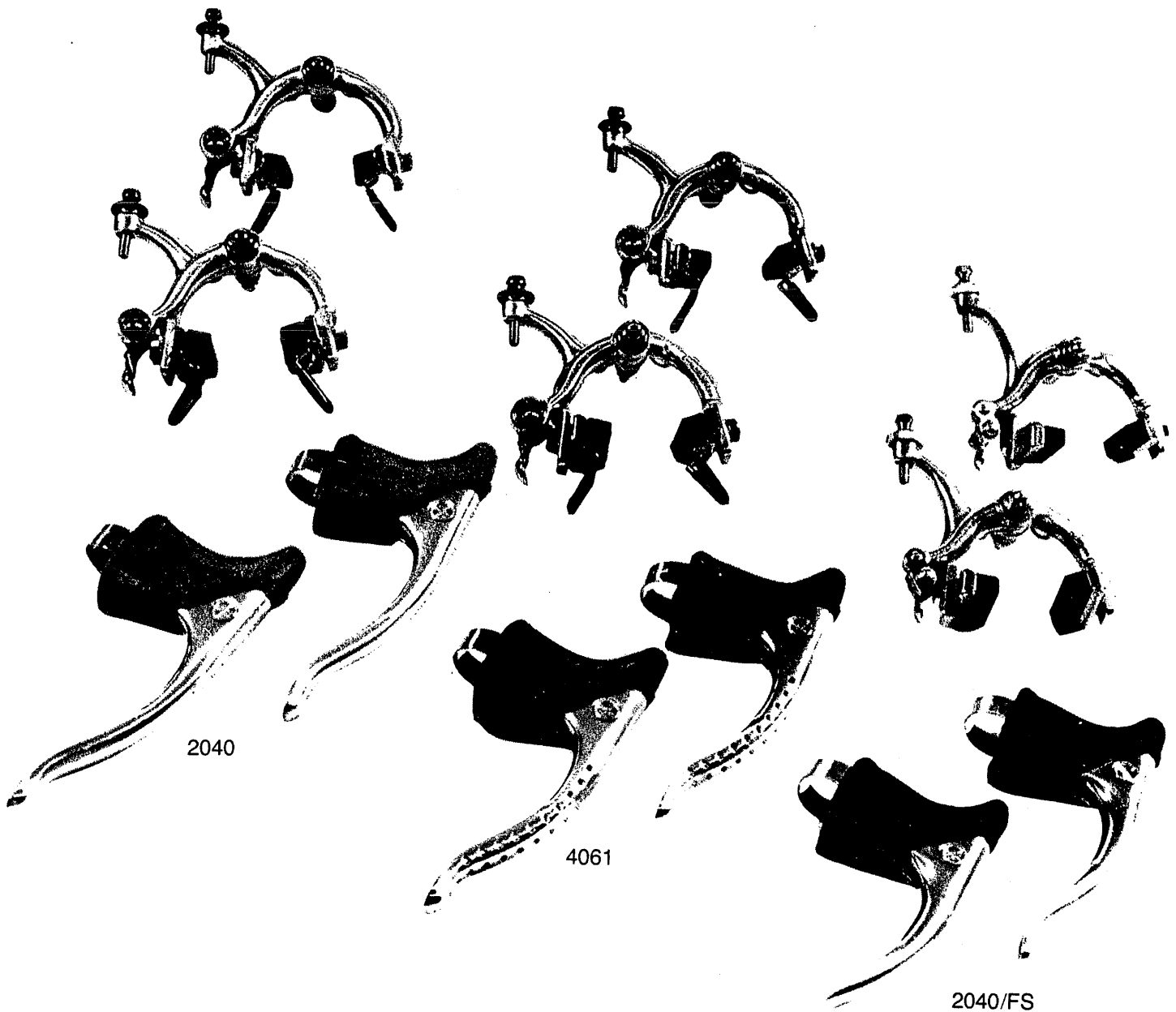
[Numbers in brackets are new identification numbers]

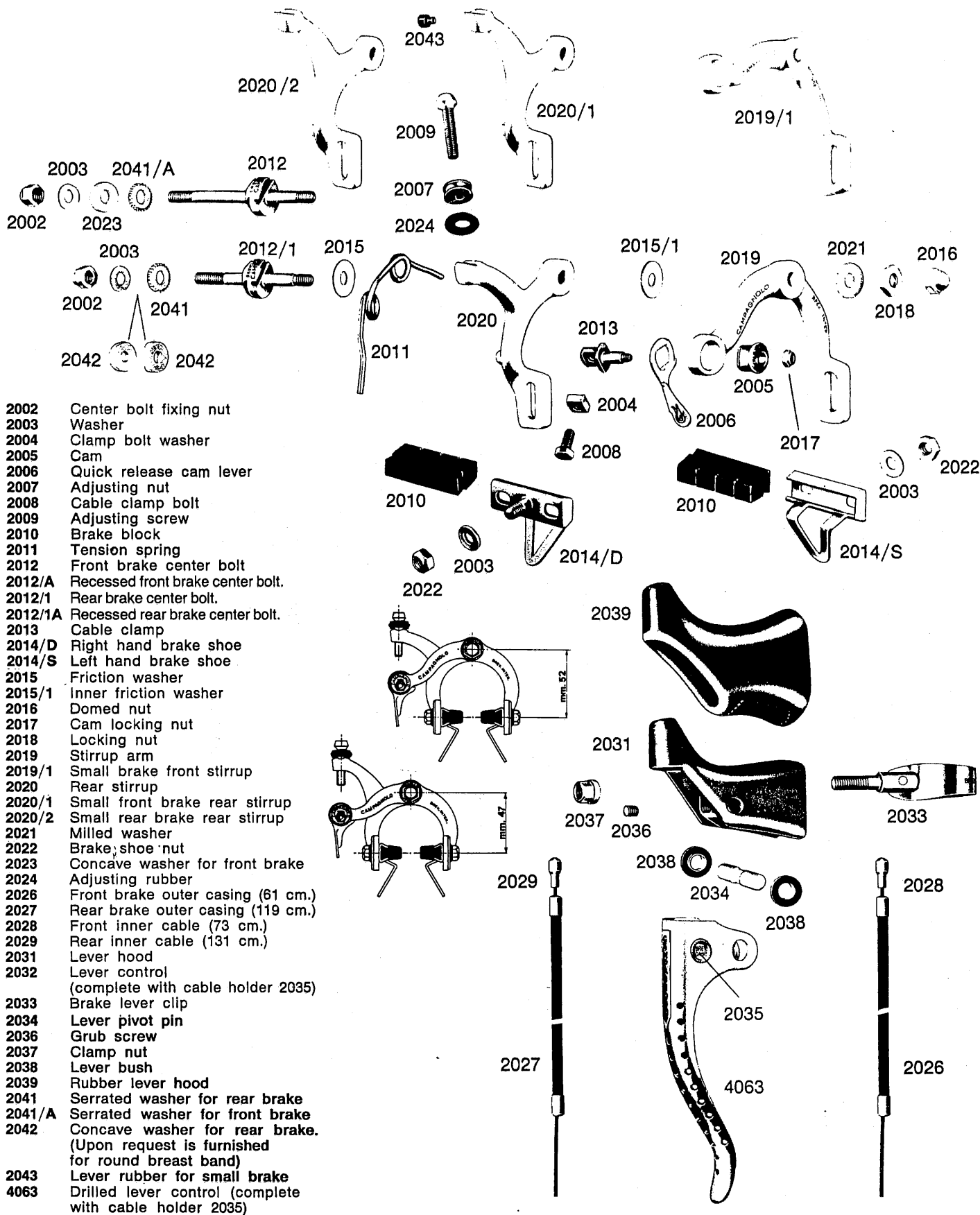
Brake Sets

BRAKE SETS

2040	Record 52mm*
2040/1	Record 47mm*
4061	Super Record 52mm*
4061/1	Super Record 47mm*
117 2040/FS	Gran Sport 47mm
118 2040/F	Gran Sport 52mm

*Recessed allen bolts specified by adding an A to the above part numbers.





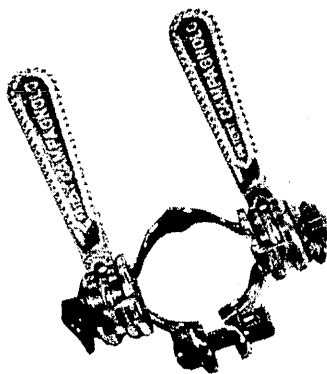
- 2002 Center bolt fixing nut
- 2003 Washer
- 2004 Clamp bolt washer
- 2005 Cam
- 2006 Quick release cam lever
- 2007 Adjusting nut
- 2008 Cable clamp bolt
- 2009 Adjusting screw
- 2010 Brake block
- 2011 Tension spring
- 2012 Front brake center bolt
- 2012/A Recessed front brake center bolt.
- 2012/1 Rear brake center bolt.
- 2012/1A Recessed rear brake center bolt.
- 2013 Cable clamp
- 2014/D Right hand brake shoe
- 2014/S Left hand brake shoe
- 2015 Friction washer
- 2015/1 Inner friction washer
- 2016 Domed nut
- 2017 Cam locking nut
- 2018 Locking nut
- 2019 Stirrup arm
- 2019/1 Small brake front stirrup
- 2020 Rear stirrup
- 2020/1 Small front brake rear stirrup
- 2020/2 Small rear brake rear stirrup
- 2021 Milled washer
- 2022 Brake shoe nut
- 2023 Concave washer for front brake
- 2024 Adjusting rubber
- 2026 Front brake outer casing (61 cm.)
- 2027 Rear brake outer casing (119 cm.)
- 2028 Front inner cable (73 cm.)
- 2029 Rear inner cable (131 cm.)
- 2031 Lever hood
- 2032 Lever control
(complete with cable holder 2035)
- 2033 Brake lever clip
- 2034 Lever pivot pin
- 2036 Grub screw
- 2037 Clamp nut
- 2038 Lever bush
- 2039 Rubber lever hood
- 2041 Serrated washer for rear brake
- 2041/A Serrated washer for front brake
- 2042 Concave washer for rear brake.
(Upon request is furnished
for round breast band)
- 2043 Lever rubber for small brake
- 4063 Drilled lever control (complete
with cable holder 2035)

Control Levers

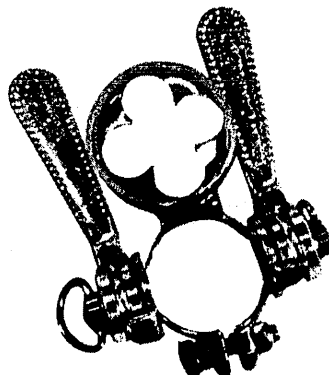
CONTROL LEVERS

- 1012/3 Handlebar control
- 1013/1 Gear downtube control lever
- 1013/1A Gran Sport gear downtube control lever
- 1013/5, 10316 Front and gear control braze on
- 1014 Twin downtube control lever
- 1014/1 Twin control lever with pump clip
- 1014/1A Gran Sport twin control lever
- 1207, 1208 Gran Sport front and gear control braze on*

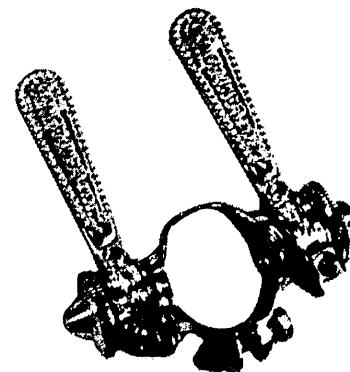
*Not pictured.



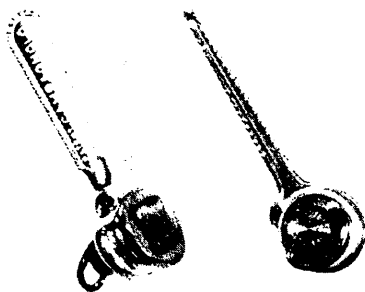
1014



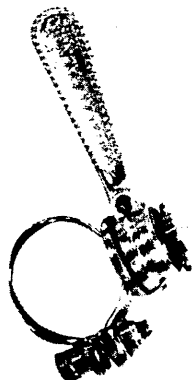
1014/1



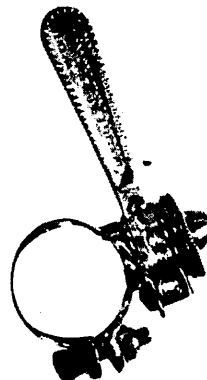
1014/1A



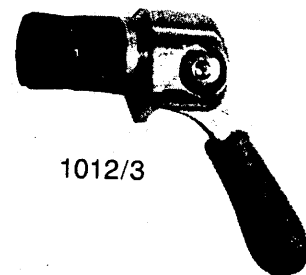
1013/5 & 6



1013/1



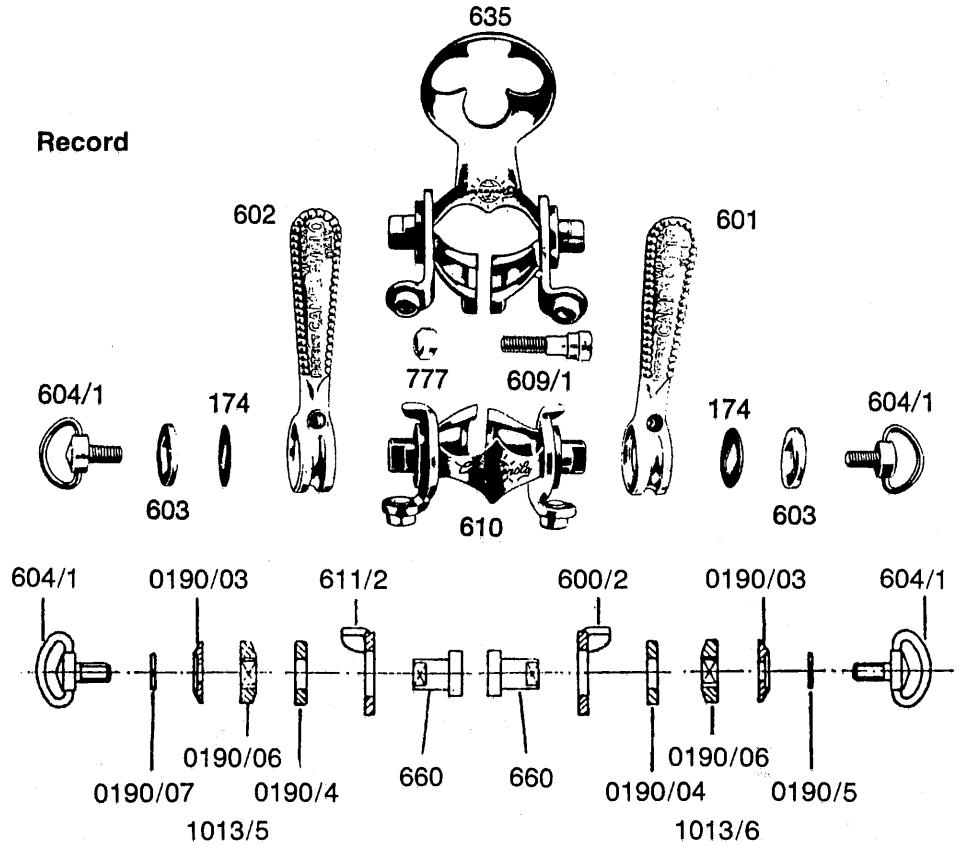
1013/1A



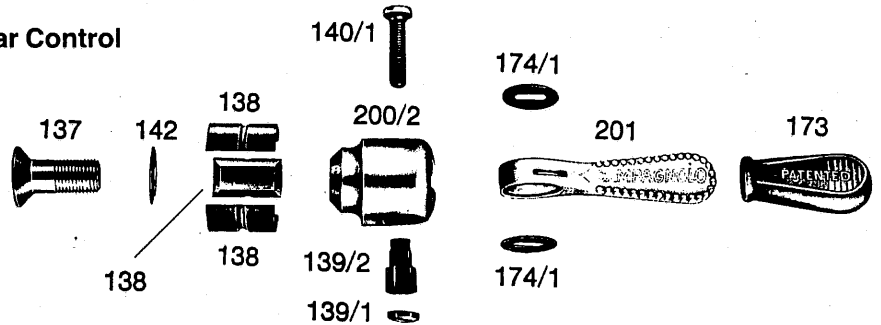
1012/3

- 137 Segment expanding screw
- 138 Segment
- 139/1 Counter-nut
- 139/2 Hexagonal screw
- 140/1 Tension adjusting screw
- 142 Spring segment holder
- 173 Handlebar lever rubber
- 174 Handlebar friction plate 0190/06
- 174/1 Lever friction plate
- 200/2 Handlebar control body
- 201 Handlebar lever
- 600/2 Right hand braze-on control lever plate
- 601 Gear control lever only
- 602 Front changer control lever only
- 603 Cover plate 0190/03 + 0190/07
- 604/1 Friction adjusting wing nut
- 606 Down tube control gear inner wire (118 cm.)
- 609/1 Fixing clip bolt
- 610 Record twin control clip
- 611/2 Left hand braze-on control lever plate
- 660 Braze-on boss
- 661 Brazed boss collar 0190/09
- 663 Braze-on cable ferrule
- 777 Nut
- 601/1 Right hand control lever only
- 602 Left hand control lever only
- 602/1 Left hand control lever only
- 609/1 Fixing clip bolt
- 777 Nut
- 3393 Right hand toothed washer
- 3396 Milled nut for Gran Sport lever
- 3397 Left hand toothed washer
- 3398 Elastic washer
- 3401 Gran Sport twin control clip
- 3402 Gran Sport right hand control clip

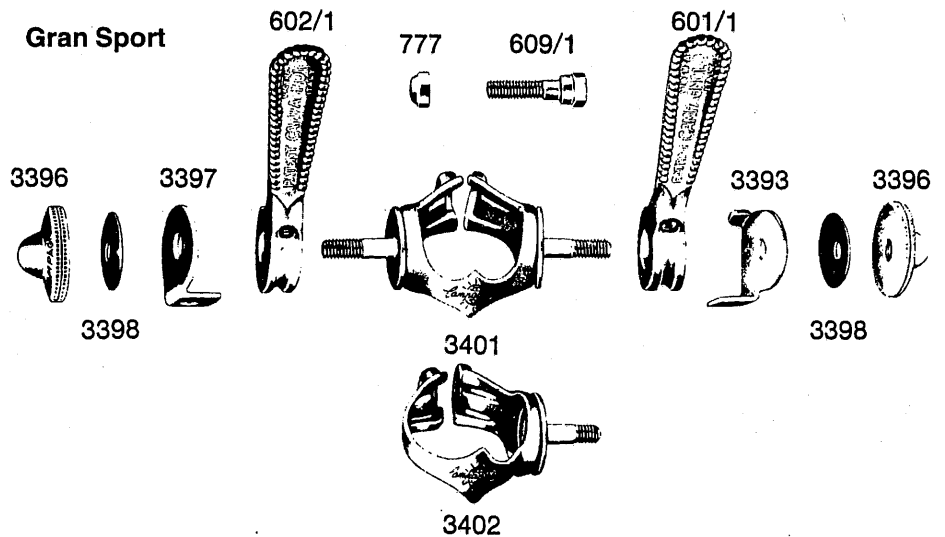
Record



Bar Control



Gran Sport



Fork Ends

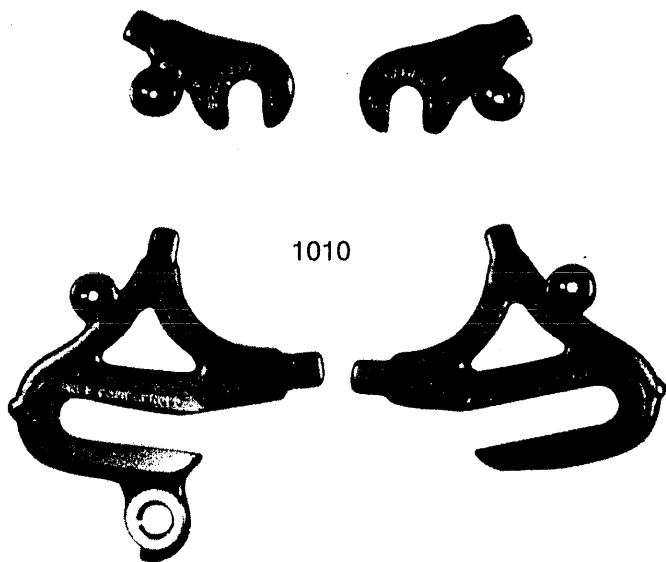
FORK ENDS

- 1010 Record
- 1010/A Record without eyelets (Not Shown)
- 1010/B Nuovo Record small without eyelets
- 1010/1 Sport
- 1053 Track
- 1060 Corsa

CHAIN HOLDERS

- 0100006 Two screw, Nuovo Record.
- 0100007 One screw, Record.

Part #80/1 is a braze-on replacement hanger.



7350085



7316007



7316008



7300085

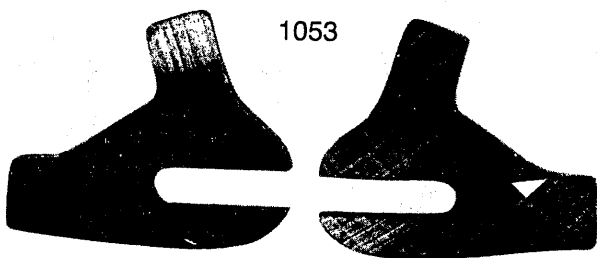


7350100

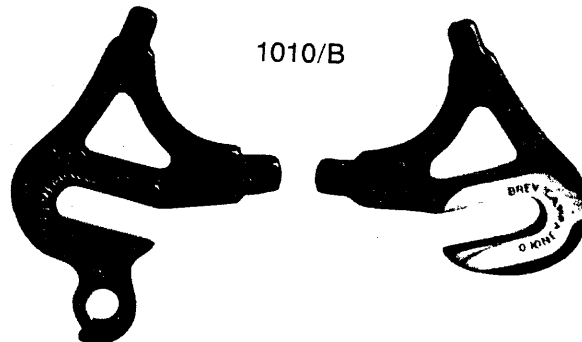
7350085



1053



1010/B



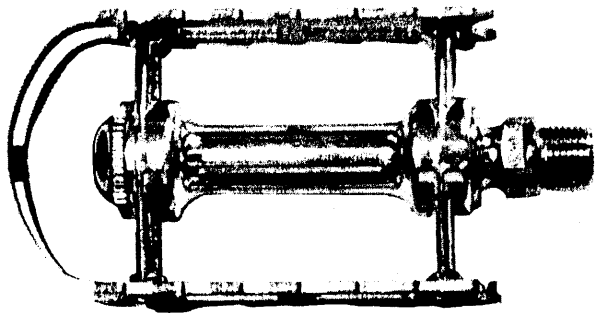
BMX 305 Pedals
Pedals aluminum alloy cages in black, blue and gold. Axle replacement parts are the same as 1037/A road pedals.

821
822

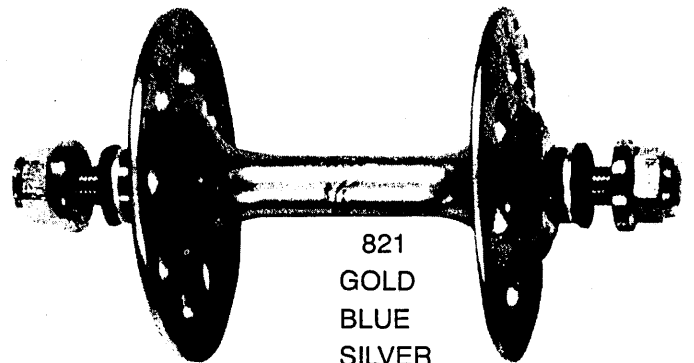
Hub set, small flange.
Hub set, large flange.
Hubs in silver, blue, and gold with English freewheel threads and track axles, spacing 100mm front and 120mm rear.

BMX 806 Chainwheel set.
Chainwheel set in silver, blue, and gold with 170mm or 175mm arms. Chainrings in matching colors from 42 to 46 teeth, $1\frac{1}{2}'' \times \frac{1}{8}''$. Uses a 3331 or 1046 road bottom bracket.

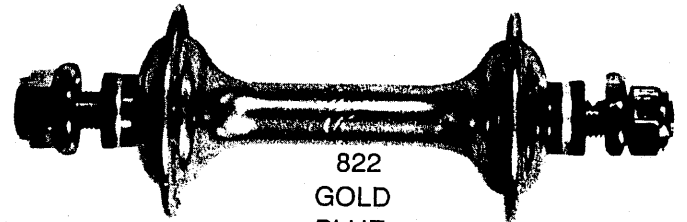
¹For larger sizes #760 chainrings, in silver only, are available, $\frac{1}{2}'' \times \frac{1}{8}''$. For $\frac{1}{2}'' \times \frac{3}{32}''$ chainrings use #753, #753/A or 753/GS in silver only.



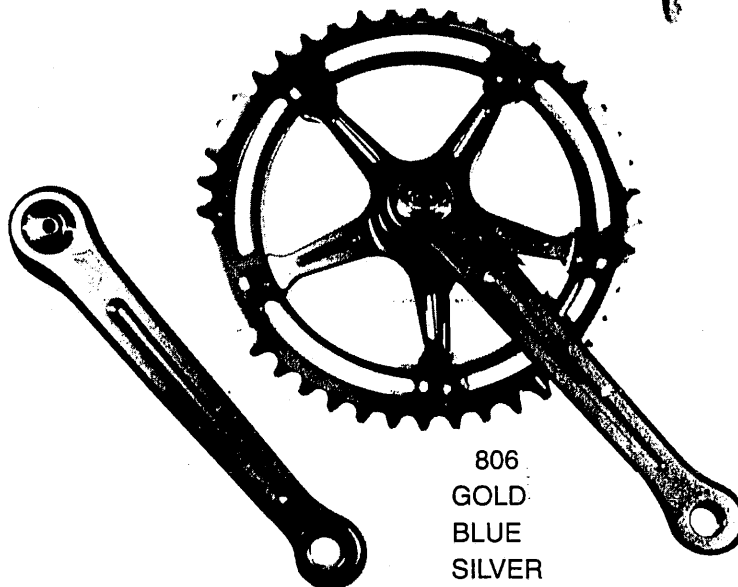
305 MX
GOLD
BLUE
BLACK



821
GOLD
BLUE
SILVER



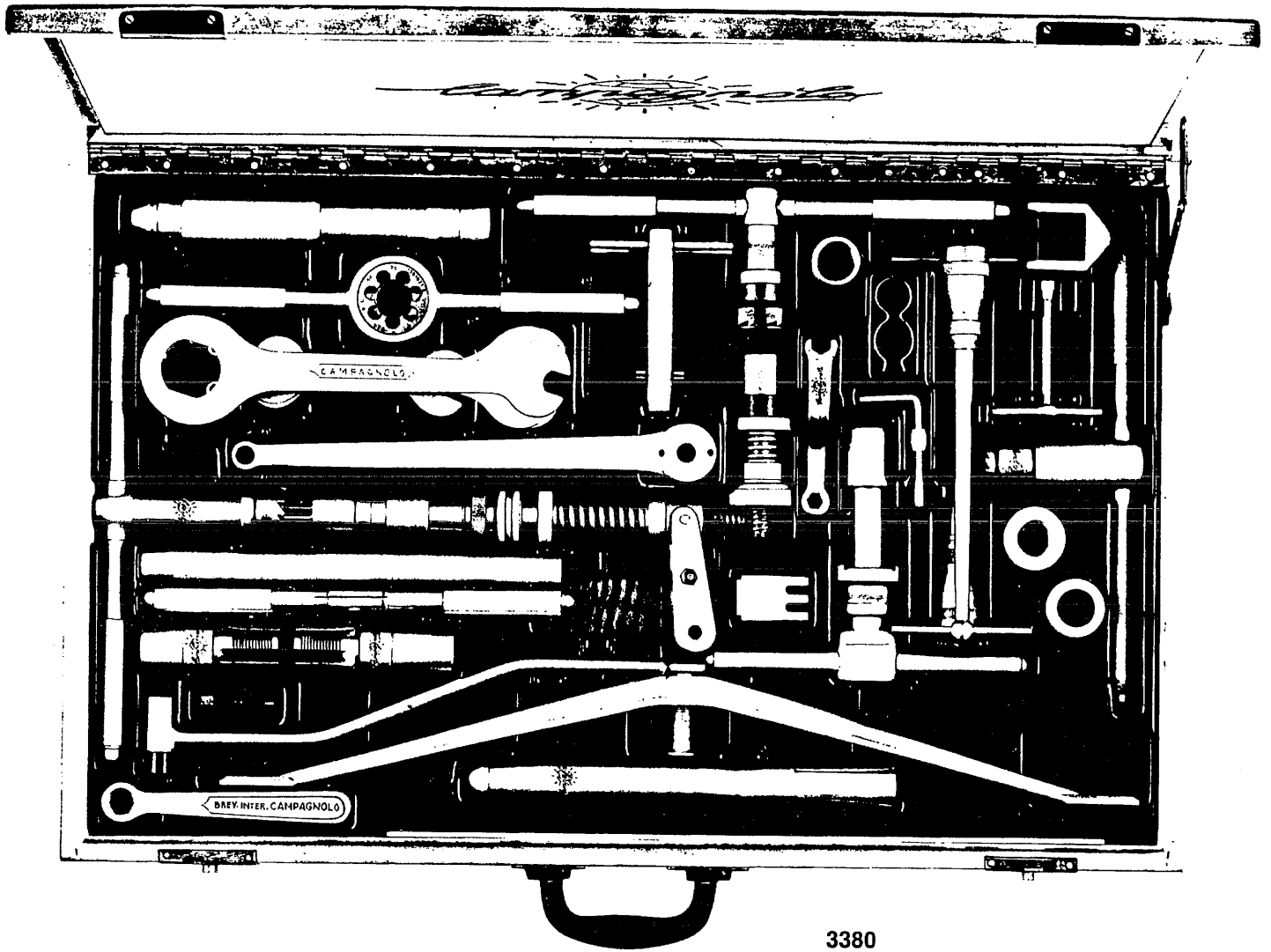
822
GOLD
BLUE
SILVER



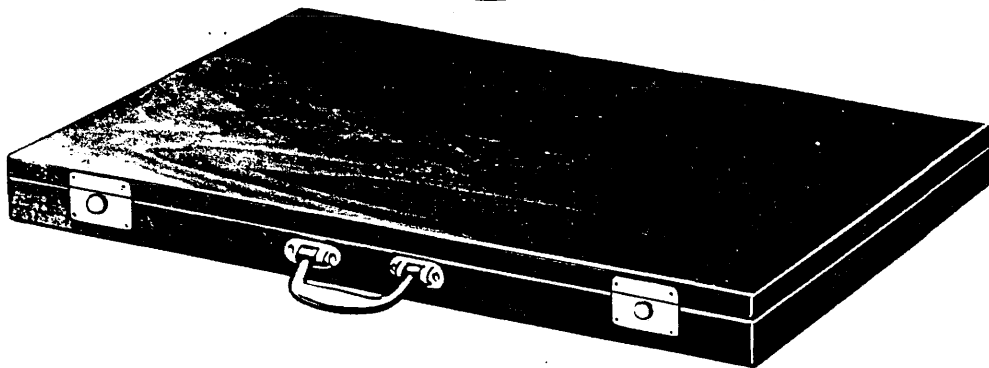
806
GOLD
BLUE
SILVER

Campagnolo

Complete Tool Case

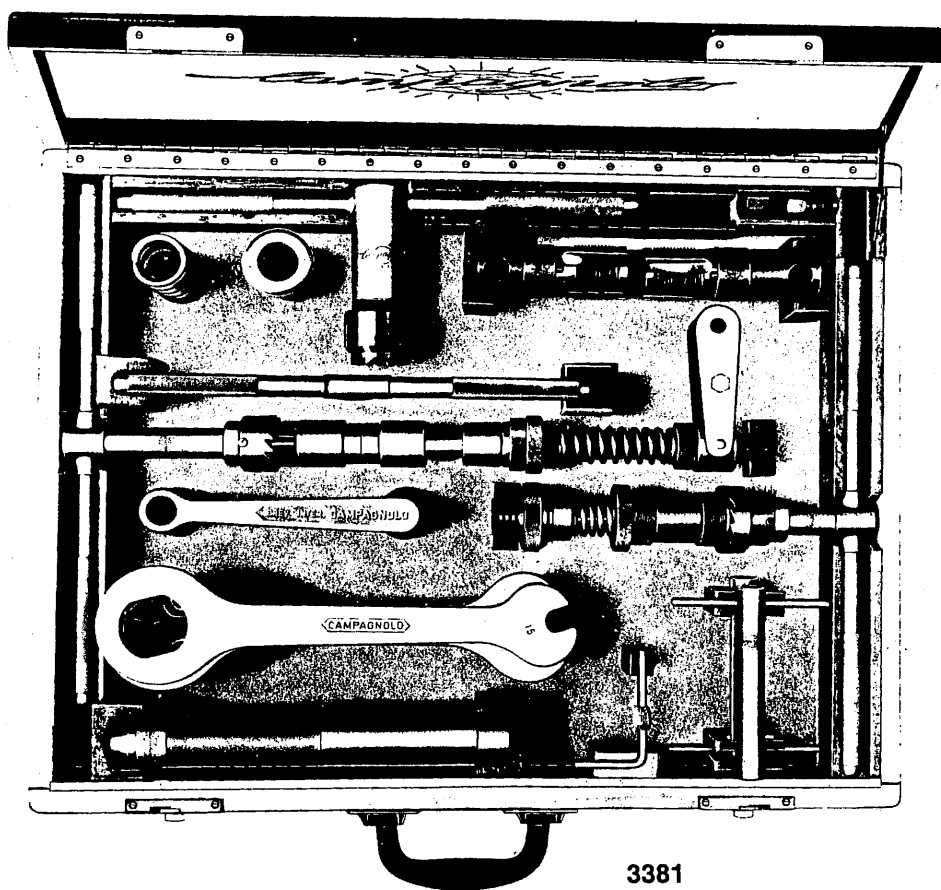


3380

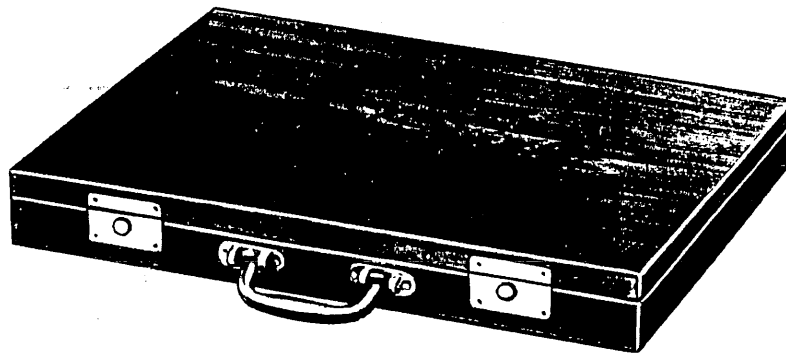


Campagnolo

Reduced Tool Case



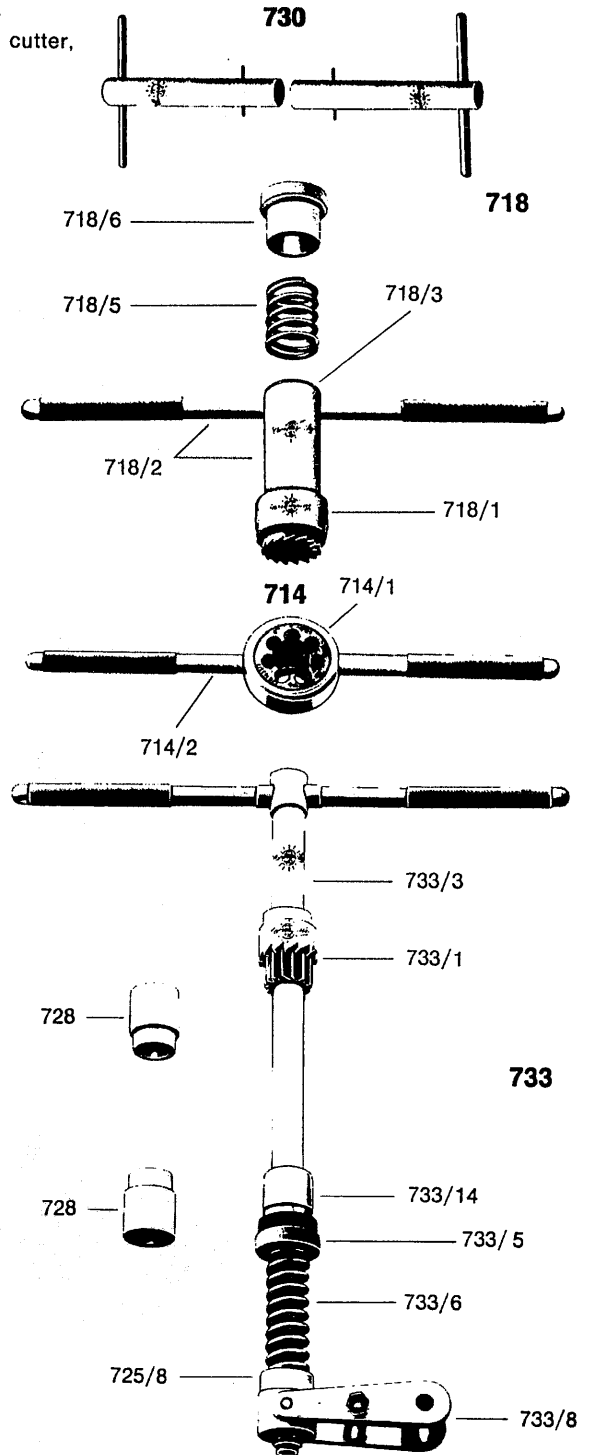
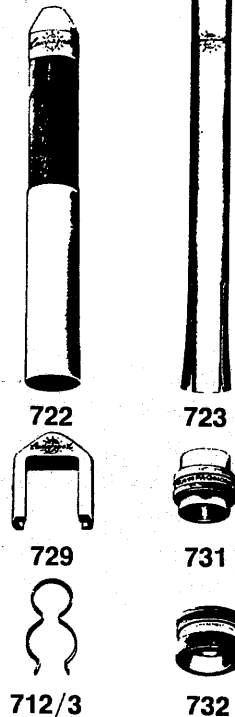
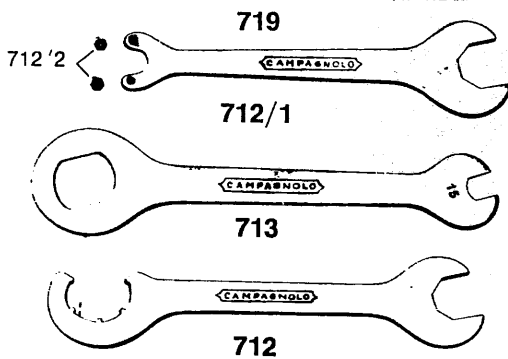
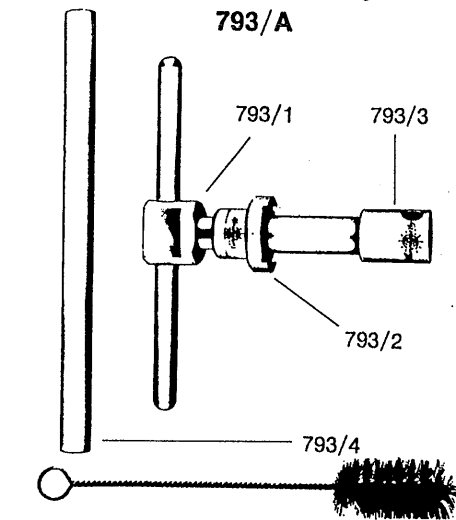
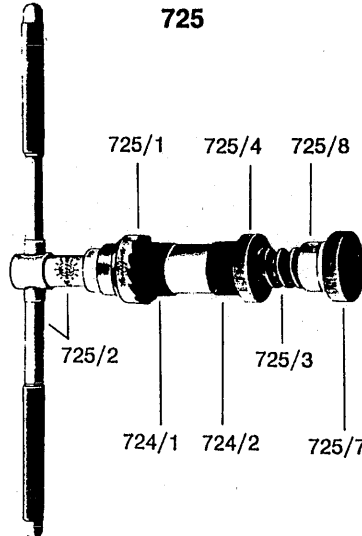
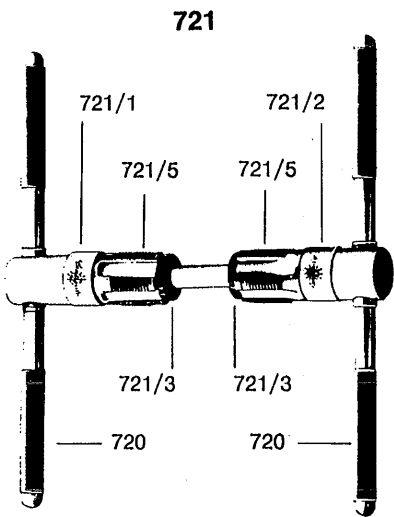
3381



- 712 * Bottom bracket locking tool
- 712/1 * Bottom bracket adjusting cup tool
- 712/2 * Spacing spring for 712/1
- 712/3 * Spacing spring for head set tool
- 713 * Bottom bracket fixed cup tool
- 714 * Fork column die (specify size of threading), composed by:
- 714/1 Fork column die (specify size of threading)
- 714/2 Die holder body
- 718 * Crown race cutter, composed by:
- 718/1 * Crown race mill
- 718/2 * Cutter holder with rotation lever
- 718/3 * Guide ring
- 718/5 * Tension spring

- 718/6 * Threaded locking (specify size of threading)
- 719 * Brush
- 721 * Bottom bracket double tap composed by:
- 720 * Rotation lever
- 721/1 * Tap body with stem
- 721/2 * Tap body with stem guide hole
- 721/3 * Tap locking nut
- 721/5 * Spare tap (specify size of threading)
- 722 * Headset cup punch
- 723 * Headset cup remover
- 725 * Bottom bracket face cutter, composed by:

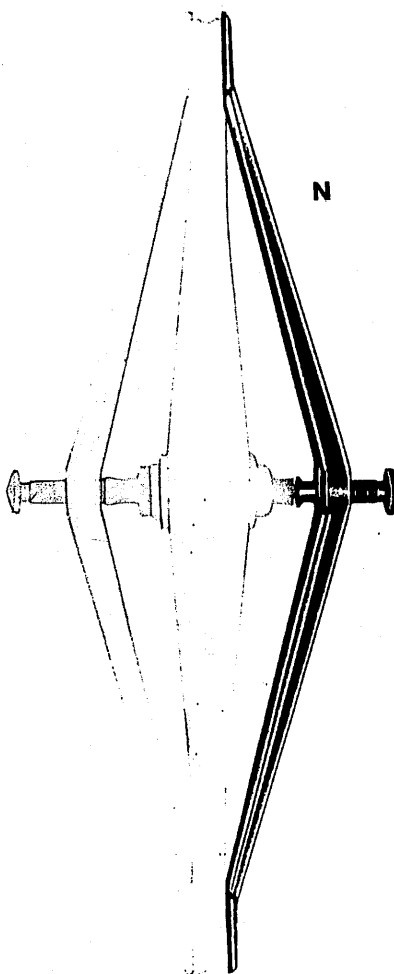
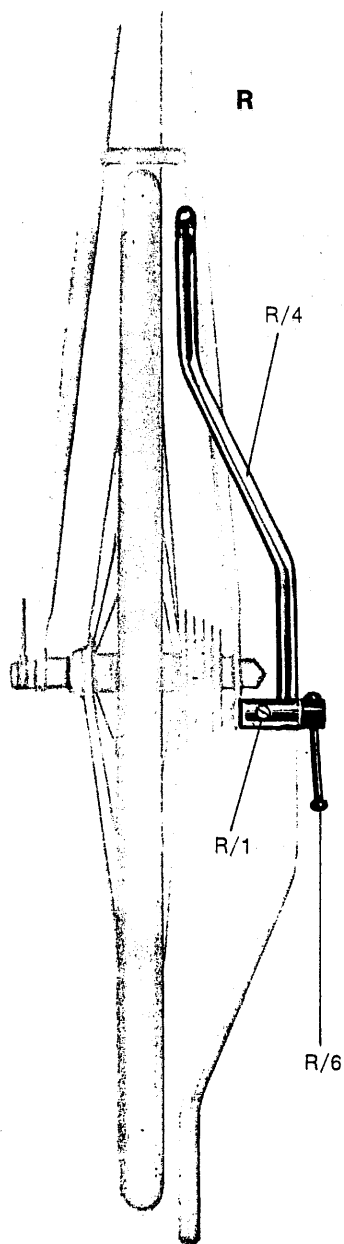
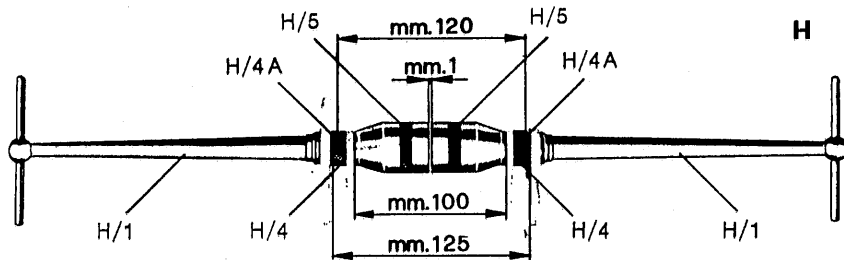
- 724/1 * Inner threaded guide sleeve for cutter 725 (specify size of threading)
- 724/2 * Outer threaded guide sleeve for cutter 725 (specify size of threading)
- 725/1 * Mill
- 725/2 * Cutter holder stem with rotation lever
- 725/3 * Tension spring
- 725/4 * Washer
- 725/7 * Threaded locking



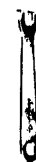
- 725/B * Toothed washer
- 729 * Fork crown race remover
- 730 * Set of keys for sleeve 724/1 and 724/2
- 731 Headset jig
- 732 Fork crown jig
- 733 * Head race mill, composed by:
- 725/B * Toothed washer

- 728 * Sleeve for art. 733
- 733/1 * Head race mill
- 733/3 * Cutter holder with rotation lever
- 733/5 * Washer
- 733/6 * Tension spring
- 733/8 * Lockring stirrup
- 733/14* Centraliser sleeve

- 767 * « L » shaped chainwheel screw alley key - 5 mm.
- 768 Chainwheel screw peg spanner
- 769 * Cotterless b/b axle spanner
- 770 * Cotterless crank extractor
- 793/A Right hand bottom bracket tool, composed by:
- 793/1 Tool holder body with rotation lever
- 793/2 36 mm. tool
- 793/3 Cutter sleeve
- 793/4 Tube for rotation tool
- G Straight edge for the alignment of the rudder pedals
- H Back stay tool for the perfect alignment of forks and fork ends, composed by:
- H/1 Stem with lever
- H/4 Spacer for 120 mm. width
- H/4A Additional spacer for 125 mm. width (to match with spacer H/4)
- H/5 Cup
- I 14t. freewheel tool, composed by:
- I/2 Ring nut lever holder
- 704 Insert for freewheel removing tool fig. I
- 704/1 Reducing insert tool fig. I for 13t. freewheel. (This tool is furnished only upon specific request)
- N Wheel dish tool for checking the centering of the rim to the locknuts of hubs
- R Back stay tool for checking the hanger of the right hand fork end, composed by:
- R/1 Screw
- R/4 Rotating rod
- R/6 Spindle with lever



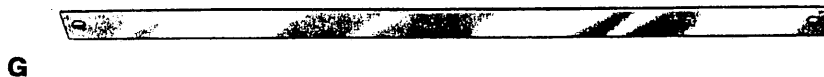
767



768



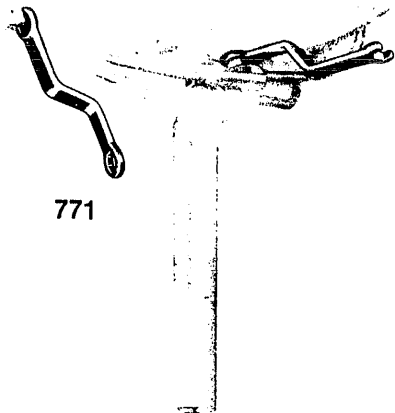
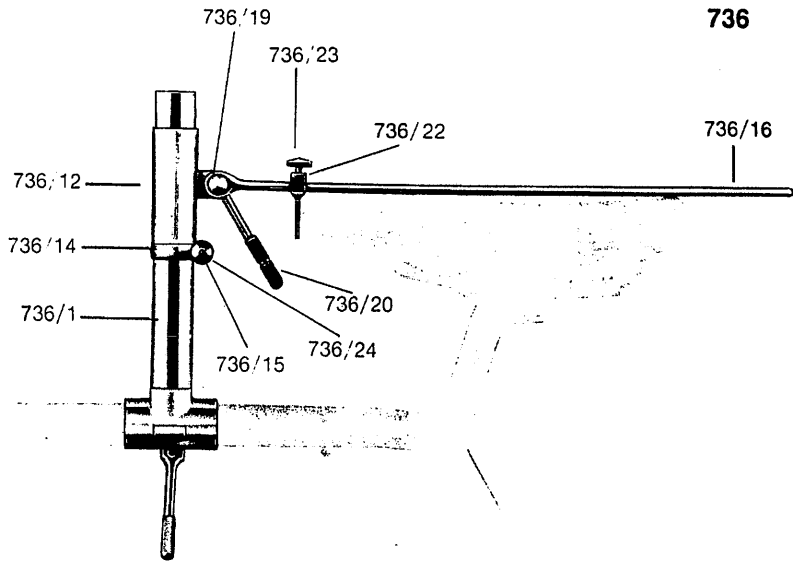
770



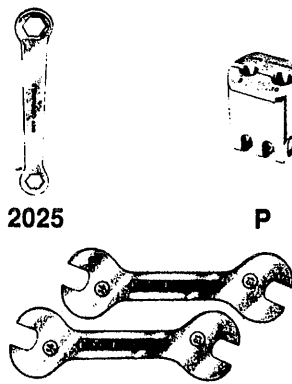
G

Special Tools

- 143/2 T wrench 6-8 mm.
- 710 Pedal wrench
- 771 Saddle spanner
- 2025 Special brake spanner
- P Axle holding tool
- Q Set of tools for cones and locknuts (13-14 mm.).
Upon request the set is furnished with tools 15-16 mm.
- 705 Pedal tap right hand
Ø 9/16" x 20F. thread
- 706 Pedal tap left hand
Ø 9/16" x 20F. thread
- 707 Gear hanger tap Ø 10 x 26F thread
- 708 Mudguard eye tap M5 x 0,8
- 709 Rear end adjuster tap M3 x 0,5
- 736 Alignment to maintain in position the saddle when replacing the seat pin and the pin, composed by:
 - 736/1 Stanchion with hinge
 - 736/12 Sliding rod holder
 - 736/14 Sliding adjusting clip
 - 736/15 Clip fixing screw
 - 736/16 Saddle positioning rod
 - 736/19 Rod locking screw
 - 736/20 Rod quick release lever
 - 736/22 Saddle positioning plate
 - 736/24 Plate quick release screw
- 1101 Pedal spanner, composed by:
 - 1101/1 Multiple head (15-16-17 mm.)
 - 1101/2 Head locking screw
 - 1101/3 Multiple tool lever

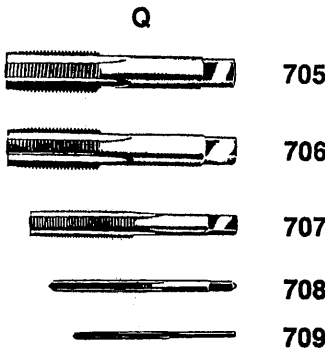


771



2025

P



Q

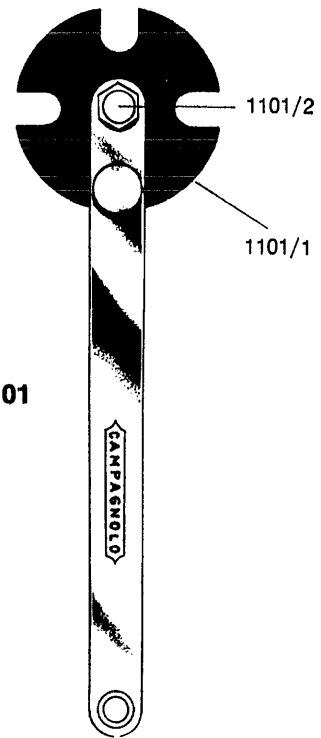
705

706

707

708

709

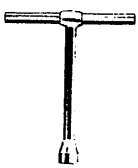


1101/2

1101/1

1101

1101/3



143/2



710

- 3385 100 grs. tin special grease
- 3386 500 grs. tin special grease
- 3387 1 kg. tin special grease



Promotional Items

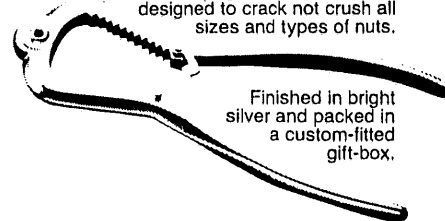
The Campagnolo Wings Belt Buckle... available in a brass and



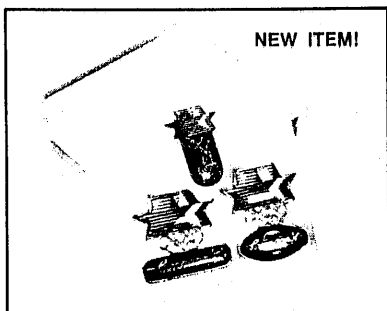
pewter 3" round design.

For the purist in you...

The Campagnolo Nutcracker... designed to crack not crush all sizes and types of nuts.



Finished in bright silver and packed in a custom-fitted gift-box.



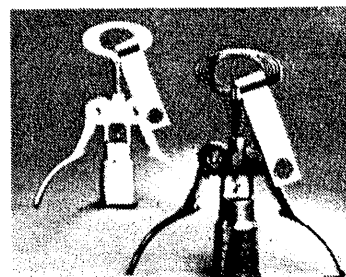
Set of three different Campagnolo 1984 Olympic Lapel Pins. Pins in gold, red and blue colors showing the "Stars in Motion", the 1984 Olympic theme, and each pin with a different Campagnolo logo. Set of three individually boxed.



The Campagnolo equipped Frame Sticker... printed in black, blue, red and yellow on mylar. Available in packages of 100.



The Campagnolo equipped Gold Sticker... designed with a striped border of the world champion. Available in packages of 100.



The Campagnolo Corkscrew... designed to remove even the most difficult cork. Available in either 18K gold, silver or bronze light alloy; yellow, orange or brown plastic. Packed in a custom-fitted gift box.



The Campagnolo Travel Bag... designed in nylon with reinforced bottom for extra wear. The Deluxe Model is available with shoulder strap and double bottom that zips from the side for easy access. Both styles, light blue with dark blue and white trim.



The Campagnolo Spoken Here Sticker... available in 5" window stickers or 12" cardboard signs.



The Oval Stickers... designed for frames, doors, windows, bumpers or tool chests. The Campagnolo Oval is available in 1", 4" and 12" sizes; all, in packages of 100.

LIMITED EDITION

Gold Vermeil Collectors Belt Buckle Set

Actual Size
3" x 2½"



This special limited edition 24 karat gold vermeil and silver plated buckle set commemorates Tullio Campagnolo's eightieth birthday. Tullio Campagnolo is probably the single most influential individual in the history of bicycling.

The set consists of three magnificent 24 karat gold vermeil and silver plated buckles, one each as follows:

1. A 2½" circular buckle with the "Campagnolo Wings" logo — the symbol of unexcelled quality in bicycle parts.
2. A 3¾" oval buckle with the "Prodotti Campagnolo Speciali" logo



3. A 3" x 2½" rectangular buckle of an exquisite reproduction of a picture of Tullio Campagnolo competing in a cycle race on the Aune Cross pass on November 11, 1927. It was during this race that Tullio Campagnolo conceived the ideas that would change the mechanics of the world of bicycling.

The collector series is elegantly packaged in a royal blue case. The custom designed insert holds each buckle in place.

Notations



Campagnolo

CAMPAGNOLO—U.S.A., INC.
P.O. BOX 37426
HOUSTON, TEXAS 77036
(713) 661-9132
TX #910-881-6293